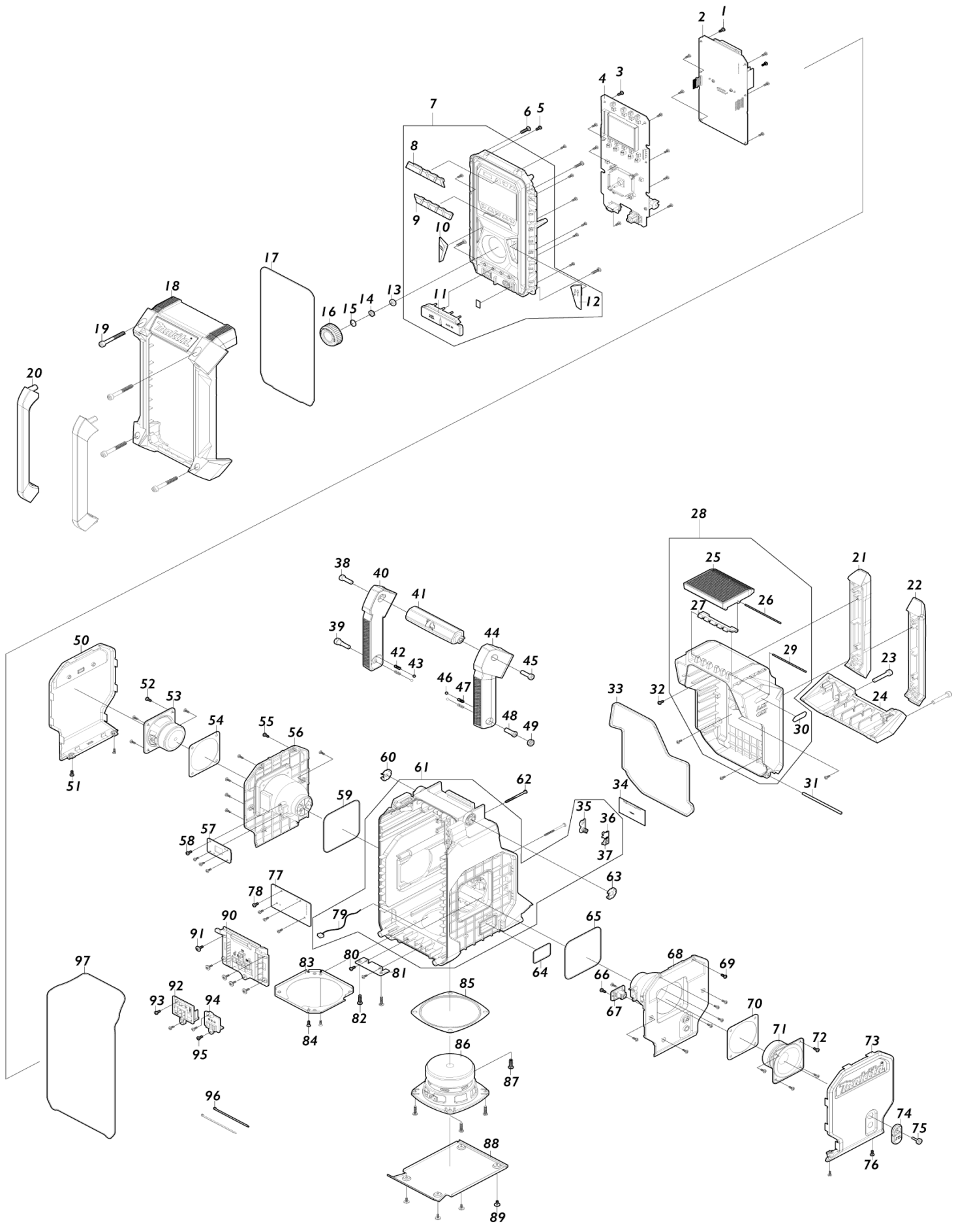


Model No.MR006G JOB SITE RADIO



Model No.MR006G JOB SITE RADIO

Item No.	Parts No.	Description	Interchangability	Q'ty	New/Old	Note1	Note2
001	SE00000521	SCREW PTB 3X8(ZK) 29S16308001		6			
002	SE00001032	PCB A+M ASS'Y		1	*		
002-1	SE00001322	PCB A+M ASS'Y	<	1			
003	SE00000521	SCREW PTB 3X8(ZK) 29S16308001		8			
004	SE00001034	PCB C ASS'Y		1	*		
004-1	SE00001309	PCB C ASS'Y	<	1			
005	SE00000521	SCREW PTB 3X8(ZK) 29S16308001		8			
006	SE09064161	SCREW M4X16		4			
007	SE00001038	FRONT CABINET ASS'Y		1			
007		INC. 8-12					
008	SE00000968	POWER KEY		1			
009	SE00000969	PRESET KEY		1			
010	SE00000970	INFO KEY		1			
011	SE00001039	JACK RUBBER COVER		1			
012	SE00000973	EQ KEY		1			
013	SE00000754	EN/SW WASHER		1			
014	SE00000755	EN/SW NUT		1			
015	SE21B1110A	ROTARY KNOB RING		1			
016	SE00000698	ROTARY KNOB		1			
017	SE00000975	FRONT CABINET PACKING		1			
018	SE00000977	FRONT BUMPER		1			
019	SE00000160	SCREW PTHE6X47(CR)		4			
020	SE00000980	FRONT BAR		2			
021	SE00000981	BATTERY BUMPER L		1			
022	SE00000982	BATTERY BUMPER R		1			
023	SE00000709	SCREW PTHE 6X33(CR)		2			
024	SE00000983	REAR BUMPER		1			
025	SE00000984	LOCKER COVER		1			
026	SE00000985	PIN D2X89		1			
027	SE00000536	LOCKER HINGE 3300B30000010		1			
028	SE00000987	BATTERY COVER ASS'Y		1			
028		INC. 25-27,29,30					
029	SE00000539	PIN D2X77 2100B300200		1			
030	SE00000872	XGT PLATE		1			
031	SE00000990	BATTERY COVER FIXER PIN		1			
032	SE00000521	SCREW PTB 3X8(ZK) 29S16308001		4			
033	SE00000991	BATTERY COVER PACKING		1			
034	SE0307PC5Z	BACK UP BATTERY COVER		1			
035	SE021E9030	+/- BATTERY CONTACT ASS'Y		1			
036	SE00000467	BATTERY CONTACT (-)2100PL00200		1			
037	SE00000466	BATTERY CONTACT(+) 2100RA00700		1			
038	SE00000176	SCREW PTHE6X20(CR)		1			
039	SE00000715	SCREW PTHE 6X17(CR)		1			

040	SE00000993	HANDLE L		1		
041	SE00000994	HANDLE BAR		1		
042	SE00000184	SPRING		2		
043	SE09994007	STEEL BALL		2		
044	SE00000996	HANDLE R ASS'Y		1		
045	SE00000176	SCREW PTHE6X20(CR)		1		
046	SE09994007	STEEL BALL		2		
047	SE00000184	SPRING		2		
048	SE00000716	SCREW PTHE 7X16(CR)		1		
049	SE00000717	SCREW PTHE 10.8X4.5(CR)		1		
050	SE00000997	SPEAKER GRILL L ASS'Y		1		
051	SE00000521	SCREW PTB 3X8(ZK) 29S1630800 1		2		
052	SE00000521	SCREW PTB 3X8(ZK) 29S1630800 1		4		
053	SE00000728	SPEAKER ASS'Y 2.5"		1		
054	SE00000729	SPEAKER 2.5" PACKING		1		
055	SE00000521	SCREW PTB 3X8(ZK) 29S1630800 1		6		
056	SE00000998	SPEAKER HOLDER L		1		
057	SE00000999	PCB J ASS'Y		1		
058	SE00000521	SCREW PTB 3X8(ZK) 29S1630800 1		4		
059	SE00001000	SPEAKER HOLDER PACKING		1		
060	SE00000718	HANDLE SUS-PLATE L		1		
061	SE00001001	REAR CABINET ASS'Y		1	*	
061		INC. 35-37,79			*	
061-1	SE00001123	REAR CABINET ASS'Y	X	1		
061-1		INC. 35-37,79				
062	SE00000445	SCREW PTB 3X45(NI)		2		
063	SE00000722	HANDLE SUS-PLATE R		1		
064	SE00001004	DC JACK PACKING		1		
065	SE00001000	SPEAKER HOLDER PACKING		1		
066	SE00000521	SCREW PTB 3X8(ZK) 29S1630800 1		2		
067	SE00001005	PCB F ASS'Y		1		
068	SE00001006	SPEAKER HOLDER R		1		
069	SE00000521	SCREW PTB 3X8(ZK) 29S1630800 1		7		
070	SE00000729	SPEAKER 2.5" PACKING		1		
071	SE00000728	SPEAKER ASS'Y 2.5"		1		
072	SE00000521	SCREW PTB 3X8(ZK) 29S1630800 1		4		
073	SE00001007	SPEAKER GRILL R ASS'Y		1		
074	SE00000726	DC JACK COVER		1		
075	SE00000404	SCREW PTHE 3X14(CR)		1		
076	SE00000521	SCREW PTB 3X8(ZK) 29S1630800 1		2		
077	SE00001008	PCB D ASS'Y		1		
078	SE00000521	SCREW PTB 3X8(ZK) 29S1630800 1		4		
079	SE00001009	CNT/W-A 220(2+2P)R/B		1		
080	SE00000521	SCREW PTB 3X8(ZK) 29S1630800 1		2		
081	SE00000735	REAR PLATE		1		

082	SE09064161	SCREW M4X16		2		
083	SE00000734	SPEAKER PLATE		1		
084	SE00000736	SCREW JMF 3X10 ZK		2		
085	SE00000738	SPEAKER 4" PACKING		1		
086	SE00001010	SPEAKER ASS'Y 4'''		1		
087	SE09064161	SCREW M4X16		4		
088	SE00001011	SPEAKER GRILL B		1		
089	SE00000741	SCREW PTT 3X8(ZK)		4		
090	SE00000894	XGT TERMINAL(36V) ASS'Y		1		
091	SE00000193	SCREW 3X10		5		
092	SE00001013	LXT TERMINAL ASS'Y		1		
093	SE00000521	SCREW PTB 3X8(ZK) 29S1630800 1		2		
094	SE00001014	CXT TERMINAL ASS'Y		1		
095	SE00000521	SCREW PTB 3X8(ZK) 29S1630800 1		2		
096	SE00000195	W/TIES 100MM		2		
097	SE00001015	REAR CABINET PACKING		1		
A01	SE00000679	AC ADAPTER (CE)		1		

Please state Parts No. when your order.

Print Date 01/17/2025