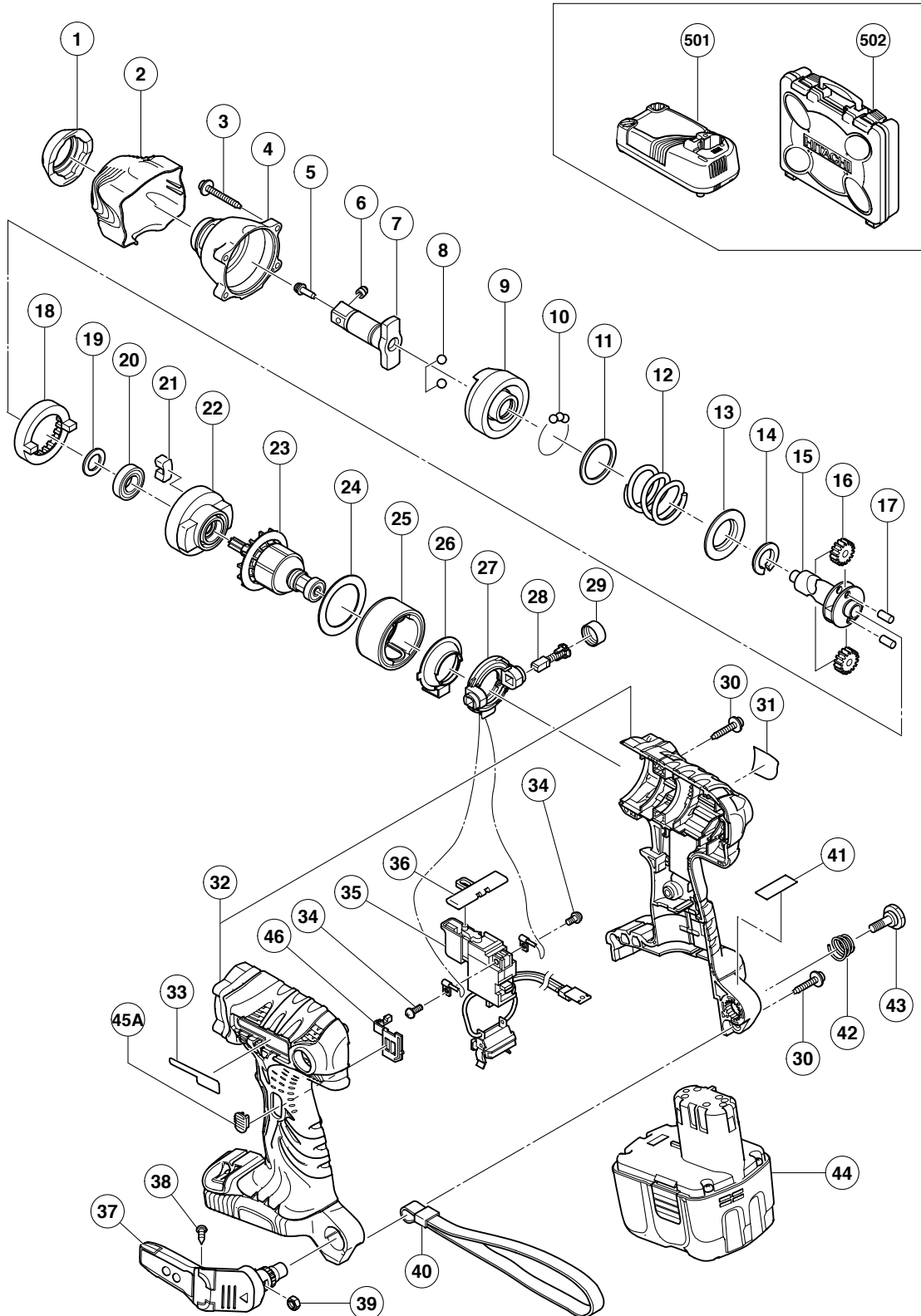


## ELECTRIC TOOL PARTS LIST

■ **CORDLESS IMPACT WRENCH** 2006 · 11 · 17  
**Model WR 14DL** (E2)



**PARTS**

WR 14DL

ITEM NO.	CODE NO.	DESCRIPTION	NO. USED	REMARKS
1	324-238	FRONT CAP (C)	1	
2	324-239	PROTECTOR (D)	1	
3	307-851	TAPPING SCREW (W/SP. WASHER) D4X30 (BLACK)	4	
4	324-250	HAMMER CASE	1	
5	324-257	PIN RETAINER (B)	1	
6	324-256	PLUNGER (B)	1	
7	324-255	ANVIL (A) ASS'Y	1	INCLUD. 5, 6
8	959-154	STEEL BALL D5.556 (10 PCS.)	2	
9	324-218	HAMMER	1	
10	959-148	STEEL BALL D3.175 (10 PCS.)	28	
11	315-978	WASHER (J)	1	
12	324-224	HAMMER SPRING (F)	1	
13	316-172	WASHER (S)	1	
14	324-222	STOPPER (B)	1	
15	324-232	SPINDLE	1	
16	326-295	IDLE GEAR SET (2 PCS.)	2	
17	324-234	NEEDLE ROLLER (A)	2	
18	320-877	RING GEAR (C)	1	
19	319-911	WASHER (E)	1	
20	690-1VV	BALL BEARING 6901VVCMP2L	1	
21	324-230	DAMPER (A)	2	
22	324-229	INNER COVER (B)	1	
23	360-712	ARMATURE AND PINION SET	1	
24	324-607	SIDE YOKE (A)	1	
25	324-235	MAGNET (F) ASS'Y	1	INCLUD. 24
26	324-228	DUST GUARD FIN (B)	1	
27	324-226	BRUSH BLOCK	1	
28	999-054	CARBON BRUSH 5X6X11.5 (1 PAIR)	2	
29	319-918	BRUSH CAP	2	
30	302-086	TAPPING SCREW (W/FLANGE) D4X20 (BLACK)	8	
31		NAME PLATE	1	
* 32	324-237	HOUSING (A).(B) SET	1	
* 32	327-050	HOUSING (A).(B) SET	1	FOR SAVE MODE
33	326-237	HITACHI PLATE	1	
34	994-532	MACHINE SCREW (W/SP. WASHER) M3X5	2	
35	321-533	DC-SPEED CONTROL SWITCH	1	
36	324-225	PUSHING BUTTON (B)	1	
37	321-918	HOOK ASS'Y (W/LIGHT)	1	INCLUD. 38, 39
38	321-672	TAPPING SCREW D2X6	2	
39	320-288	V-LOCK NUT M5	1	
40	306-952	STRAP (BLACK)	1	
* 41		LABEL (WEEE)	1	EXCEPT FOR AUS
42	319-926	HOOK SPRING	1	
43	320-881	SPECIAL SCREW (A) M5	1	
44	326-236	BATTERY EBL 1430 (EUROPE, AUS, NZL)	2	
* 45A	327-053	LEVER (B)	1	FOR SAVE MODE
* 46	327-052	LEVER (A)	1	FOR SAVE MODE

**STANDARD ACCESSORIES**

ITEM NO.	CODE NO.	DESCRIPTION	NO. USED	REMARKS
501		CHARGER (MODEL UC 18YRL)	1	
502	323-230	CASE	1	

**OPTIONAL ACCESSORIES**

ITEM NO.	CODE NO.	DESCRIPTION	NO. USED	REMARKS
601		CORNER ATTACHMENT ASS'Y EW-14R	1	INCLUD. 602-618
602	955-300	HOUSING	1	
603	955-301	METAL	3	
604	955-302	SPINDLE	1	
605		HITACHI LABEL	1	
606	955-303	BEARING RACE	2	
607	955-304	NEEDLE THRUST BEARING (NTA-1413)	2	
608	955-305	COVER	1	
609	955-306	NEEDLE BEARING (NTN BK1012)	1	
610	948-227	RETAINING RING FOR D47 HOLE	1	
611	955-307	PINION	1	
612	955-308	SLEEVE	1	
613	955-309	WASHER	1	
614	955-310	SOCKET COVER	1	
615	955-311	SOCKET	1	
616	303-247	SEAL LOCK HEX. SOCKET HD. BOLT M5X25	6	
617	873-537	SOCKET PIN	1	
618	873-187	O-RING (J1SW1516)	1	
619	991-481	FORM TIE SOCKET ASS'Y 11.3MMX95L	1	INCLUD. 617, 618
620	992-610	UNIVERSAL JOINT ASS'Y	1	INCLUD. 617, 618
621	955-153	UNIVERSAL JOINT PIN	1	
622	991-476	BIT ADAPTER ASS'Y	1	INCLUD. 617, 618
623	991-480	HEX. SOCKET ASS'Y (LONG) 21MMX125L	1	INCLUD. 617, 618
624	944-291	HEX. SOCKET ASS'Y 10MMX40L	1	INCLUD. 617, 618
625	873-632	HEX. SOCKET ASS'Y 12MMX40L	1	INCLUD. 617, 618
626	873-539	HEX. SOCKET ASS'Y 13MMX40L	1	INCLUD. 617, 618
627	873-540	HEX. SOCKET ASS'Y 14MMX40L	1	INCLUD. 617, 618
628	873-536	HEX. SOCKET ASS'Y 17MMX32L	1	INCLUD. 617, 618
629	873-624	HEX. SOCKET ASS'Y 19MMX34L	1	INCLUD. 617, 618
630	873-626	HEX. SOCKET ASS'Y 21MMX36L	1	INCLUD. 617, 618
631	873-627	HEX. SOCKET ASS'Y 22MMX40L	1	INCLUD. 617, 618

