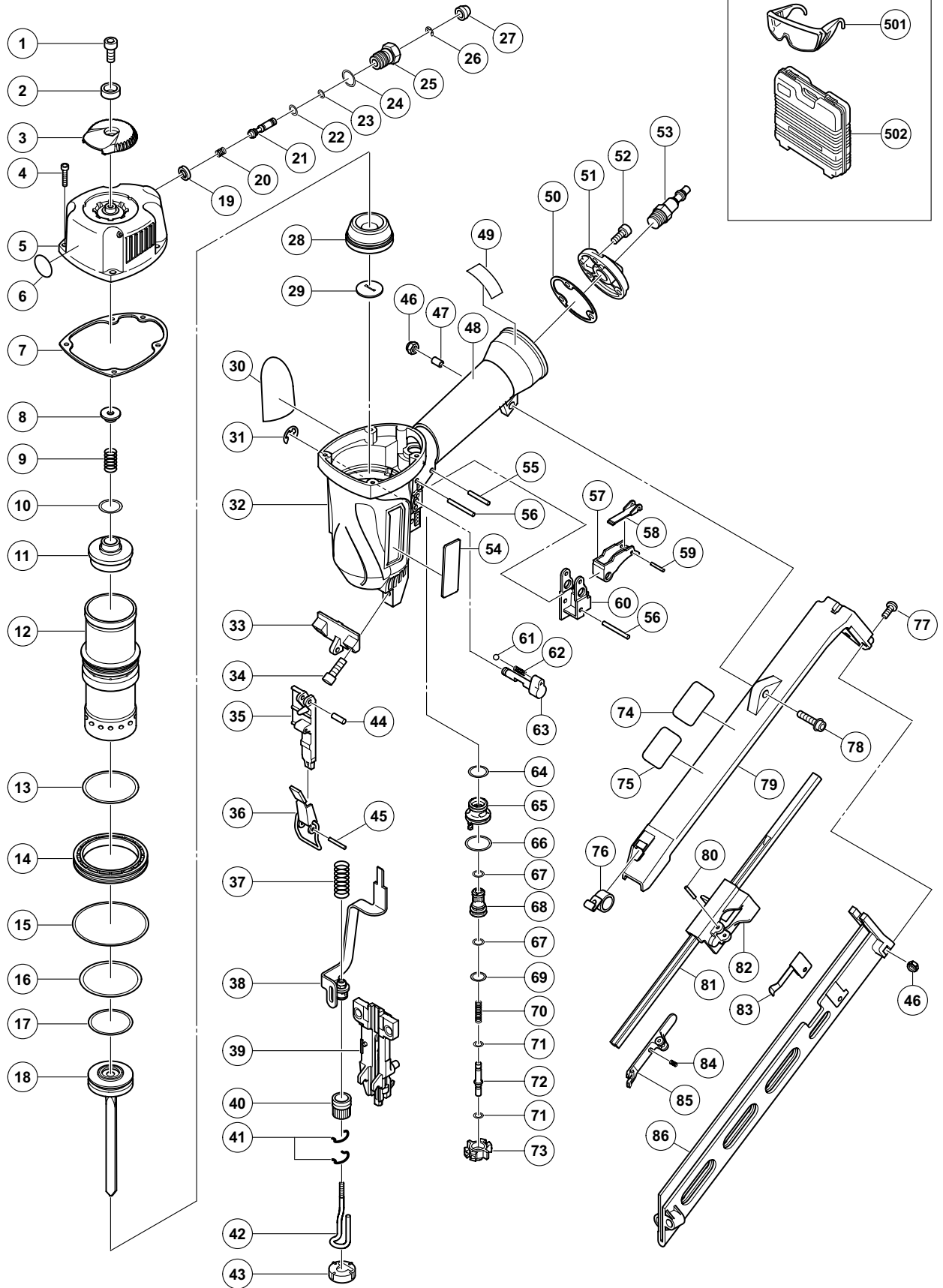


PNEUMATIC TOOL PARTS LIST

FINISH NAILER
Model NT 65MA4

2009·10·5
(E1)



PARTS

NT 65MA4

ITEM NO.	CODE NO.	DESCRIPTION	NO. USED	REMARKS
1	949-657	HEX. SOCKET HD. BOLT M6 X 12 (10 PCS.)	1	
2	880-515	PLATE	1	
3	884-332	TOP COVER	1	
4	949-757	HEX. SOCKET HD. BOLT M5 X 20 (10 PCS.)	4	
5	887-161	EXHAUST COVER	1	
* 6	883-513	WARNING LABEL (A)	1	FOR EUROPE
7	887-165	GASKET	1	
8	882-914	HEAD BUMPER	1	
9	882-913	HEAD VALVE SPRING	1	
10	883-992	O-RING (I.D. 20.8)	1	
11	887-169	HEAD VALVE (A)	1	
12	887-162	CYLINDER	1	
13	887-176	O-RING	1	
14	887-163	CYLINDER PLATE	1	
15	884-339	CYLINDER O-RING (I.D. 63.1)	1	
16	878-716	O-RING (P-46)	1	
17	882-685	O-RING (I.D. 34.7)	1	
18	884-330	PISTON	1	
19	884-338	VALVE PACKING	1	
20	887-177	SPRING	1	
21	884-333	PLUNGER	1	
22	873-093	O-RING (1AP-3)	1	
23	881-715	O-RING (S3)	1	
24	987-105	O-RING (S-10)	1	
25	882-701	VALVE BUSHING	1	
26	968-643	RETAINING RING (E-TYPE) FOR D4 SHAFT	1	
27	886-743	KNOB	1	
28	887-170	PISTON BUMPER	1	
29	881-756	BUMPER SHEET	1	
30		NAME PLATE	1	
31	955-479	RETAINING RING (E-TYPE) FOR D6 SHAFT	1	
32	887-160	BODY ASS'Y	1	INCLUD. 48
33	881-764	GUIDE PLATE (B)	1	
34	331-967	NYLOCK HEX. SOCKET HD. BOLT M6 X 30	2	
35	881-743	GUIDE PLATE (A)	1	
36	884-323	LOCK LEVER	1	
37	877-894	HOLDER SPRING	1	
38	887-179	PUSHING LEVER (B)	1	
39	881-742	BLADE GUIDE	1	
40	887-172	ADJUSTER	1	
41	881-765	RATCHET SPRING	2	
42	884-324	PUSHING LEVER (A)	1	
43	881-751	NOSE CAP (A)	1	
44	949-770	ROLL PIN D4 X 14 (10 PCS.)	1	
45	949-685	ROLL PIN D3 X 20 (10 PCS.)	1	
46	877-371	NYLON NUT M5	3	
47	881-774	SLEEVE	1	
48		GRIP RUBBER	1	SUPPLIED WITH ITEM NO. 601, 602
49		CAUTION PLATE	1	
50	887-171	GASKET (B)	1	

