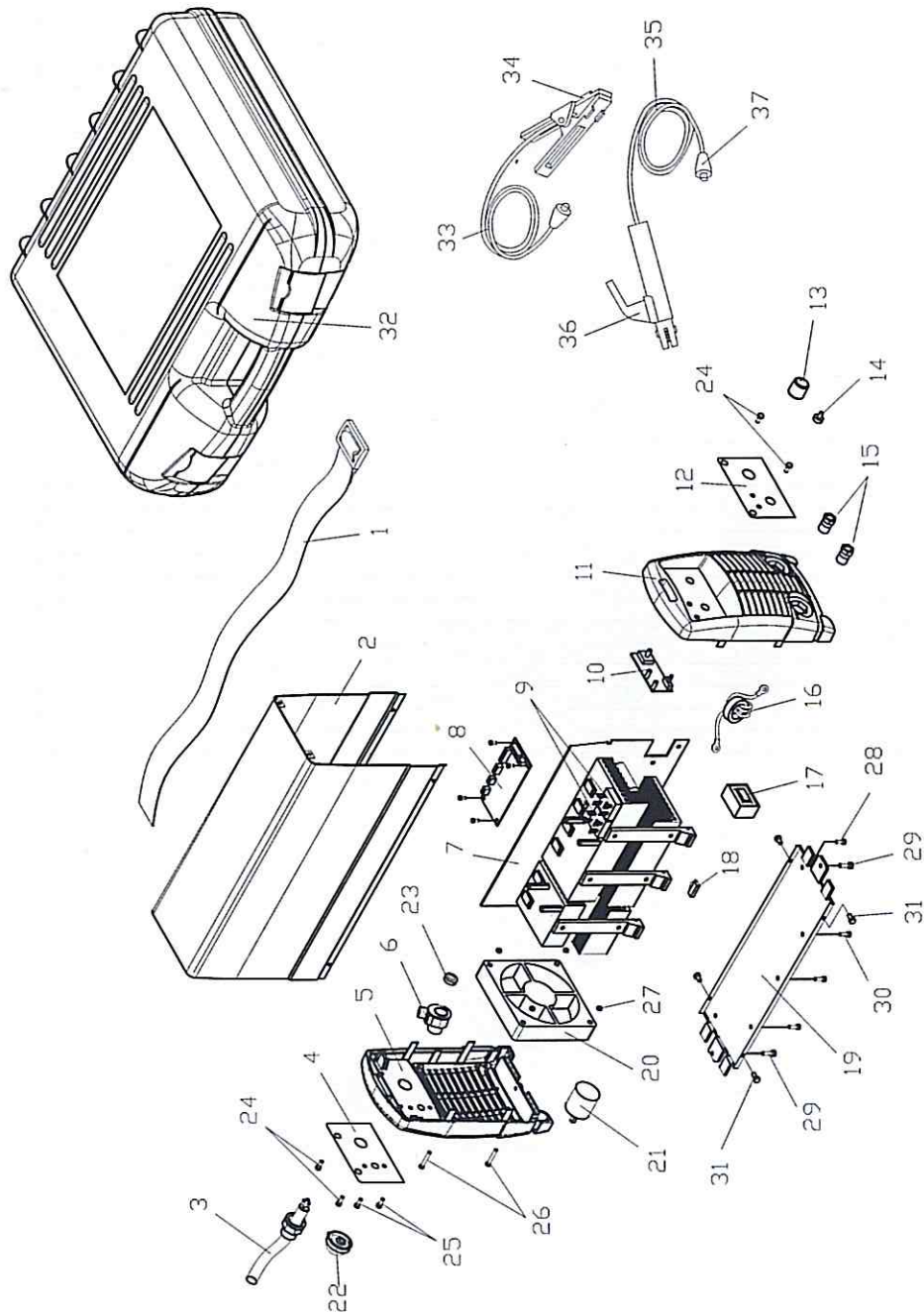


15.0 PARTS DRAWINGS - EW4400



15.1 PARTS LIST- EW4400

ITEM No.	CODE No.	Part Name	Q'TY
1	334754	BELT L=1500 BLACK + RING	1
2	334816	COVER PANEL	1
3	334790	INPUT CABLE (PLUGLESS)	1
4	334817	BACK PLATE	1
5	334818	BACK PLASTIC PANEL	1
6	334819	CABLE CLAMP	1
7	334829	MOTHER PCB	1
8	334820	CONTROL PCB	1
9	334795	RECTIFIER	2
10	334797	FRONT PANEL PCB	1
11	334798	FRONT PLASTIC PANEL	1
12	334831	FRONT SETTING LABEL	1
13	334766	POTENTIOMETER KNOB	1
14	334799	RUBBER COVER	1
15	334800	DINSE SOCKET 50mm ² (CX31)	2
16	335200	FERITE (A)	1
17	334769	CURRENT TRANSDUCER	1
18	334771	THERMAL RELAY	1
19	334821	LOWER METAL PANEL	1
20	334794	FAN	1
21	334822	SWTCH	1
22	334823	SWTCH KNOB	1
23	334773	FERITE (B)	1
24	334774	M4 SCREW (L12) BLACK	4
25	334830	FT SCREW (L12)	2
26	334776	M3 SCREW (L24) BLACK	4
27	334777	M3 NUT	4
28	334824	M4 SCREW (L8)	2
29	334779	D5 SCREW (L12)	2
30	334778	D4 SCREW (L12)	3
31	334825	M4 SCREW (L8) BLACK	4
32	334808	BLACK PLASTIC CASE	1
33	334827	EARTH CABLE 25mm ² L2000 (INCLUDE 34.37)	1
34	334832	EARTH CLAMP 300A	1
35	334828	WELDING CABLE 25mm ² L3000 (INCLUDE 36.37)	1
36	334810	ELECTRODE HOLDER 200A	1
37	334811	DINSE PLUG 50mm ² (CX22)	2