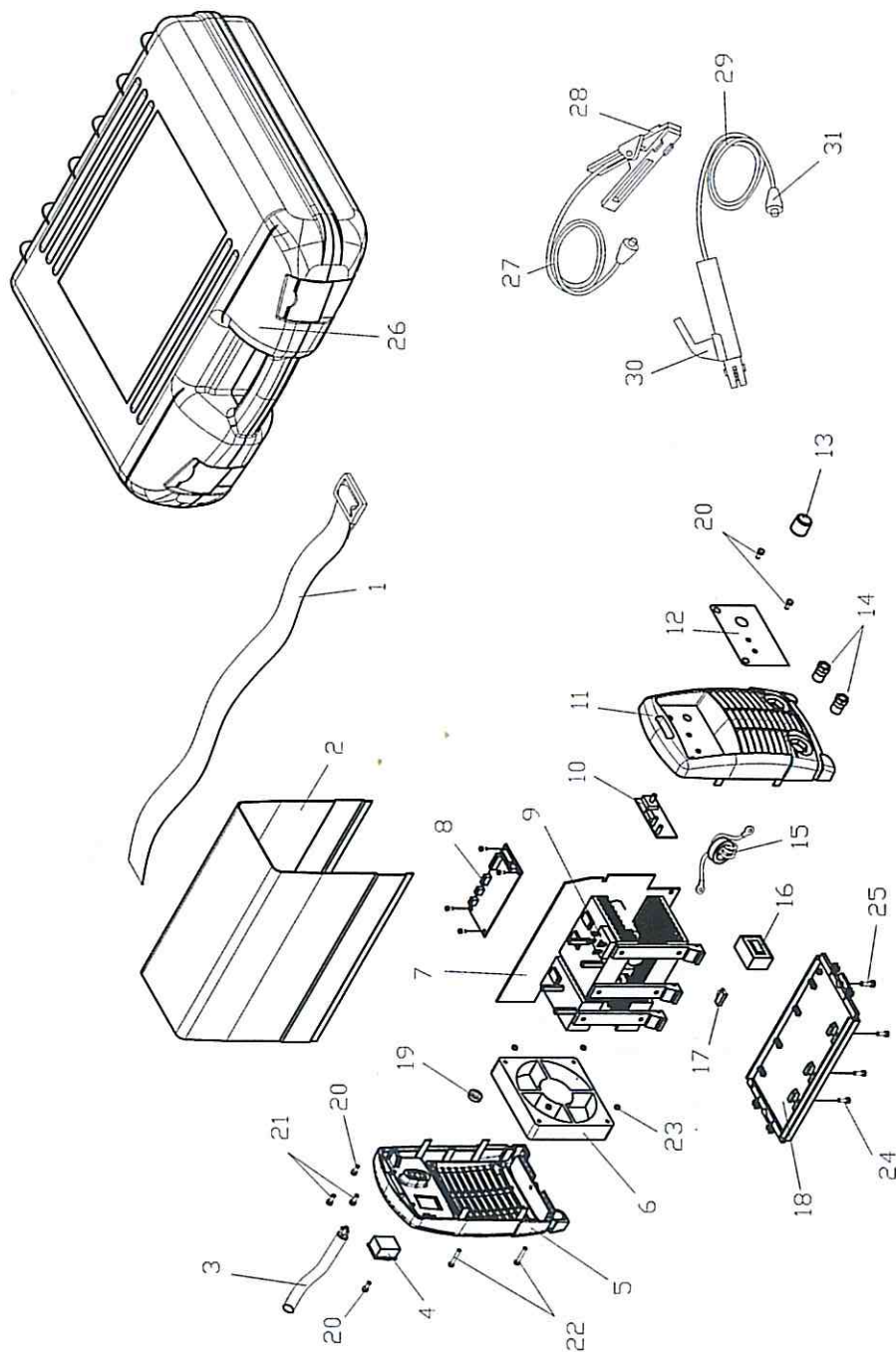


13.0 PARTS DRAWINGS - EW2800



13.1 PARTS LIST - EW2800

ITEM No.	CODE No.	Part Name	Q'TY
1	334754	BELT L=1500 BLACK + RING	1
2	334755	COVER PANEL	1
3	334756	INPUT CABLE (EU)	1
	334757	INPUT CABLE (UK)	1
	334758	INPUT CABLE (PLUGLESS)	1
4	334759	DOUBLE POLE SWMTC	1
5	334760	BACK PLASTIC PANEL	1
6	334761	FAN	1
7	334786	MOTHER BOARD	1
8	334762	CONTROL PCB	1
9	334763	RECTIFIER	1
10	334764	FRONT PANEL PCB	1
11	334765	FRONT PLASTIC PANEL	1
12	334787	FRONT SETTING LABEL	1
13	334766	POTENTIOMETER KNOB	1
14	334767	DINSE SOCKET 25mm² (CX30)	2
15	334768	FERITE (A)	1
16	334769	CURRENT TRANSDUCER	1
17	334771	THERMAL RELAY	1
18	334772	LOWER PLASTIC PANEL	1
19	334773	FERITE (B)	1
20	334774	M4 SCREW (L10) BLACK	4
21	334775	D5 SCREW (L16)	2
22	334776	M3 SCREW (L32) BLACK	4
23	334777	M3 NUT	4
24	334778	D4 SCREW (L12)	3
25	334779	D5 SCREW (L12)	2
26	334780	BLACK PLASTIC CASE	1
27	334784	EARTH CABLE 10mm² L1600 (INCLUDE 28,31)	1
28	334781	EARTH CLAMP	1
29	334785	WELDING CABLE 10mm² L2400 (INCLUDE 30,31)	1
30	334782	ELECTRODE HOLDER	1
31	334783	DINSE PLUG 25mm² (CX20)	2