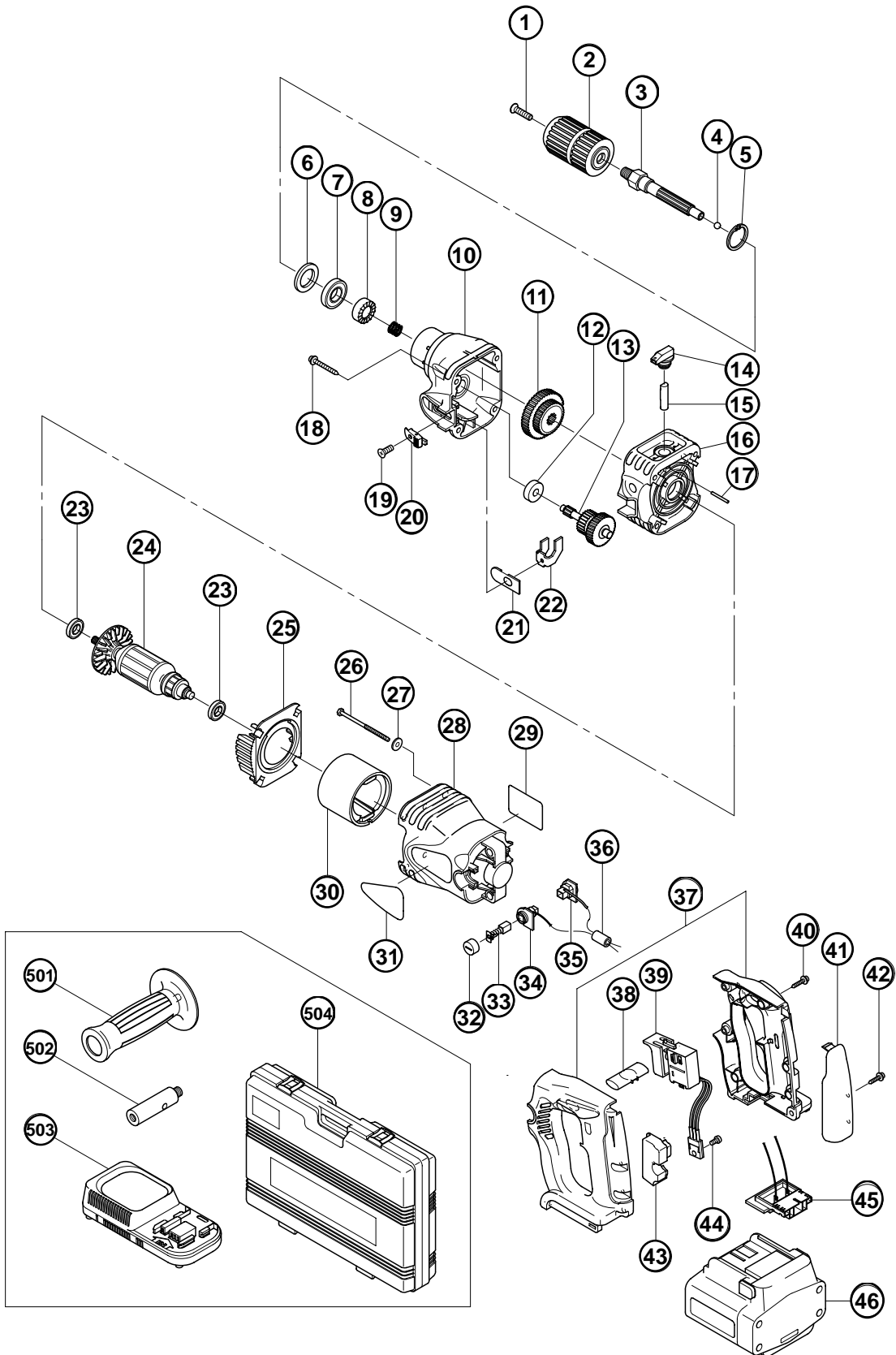
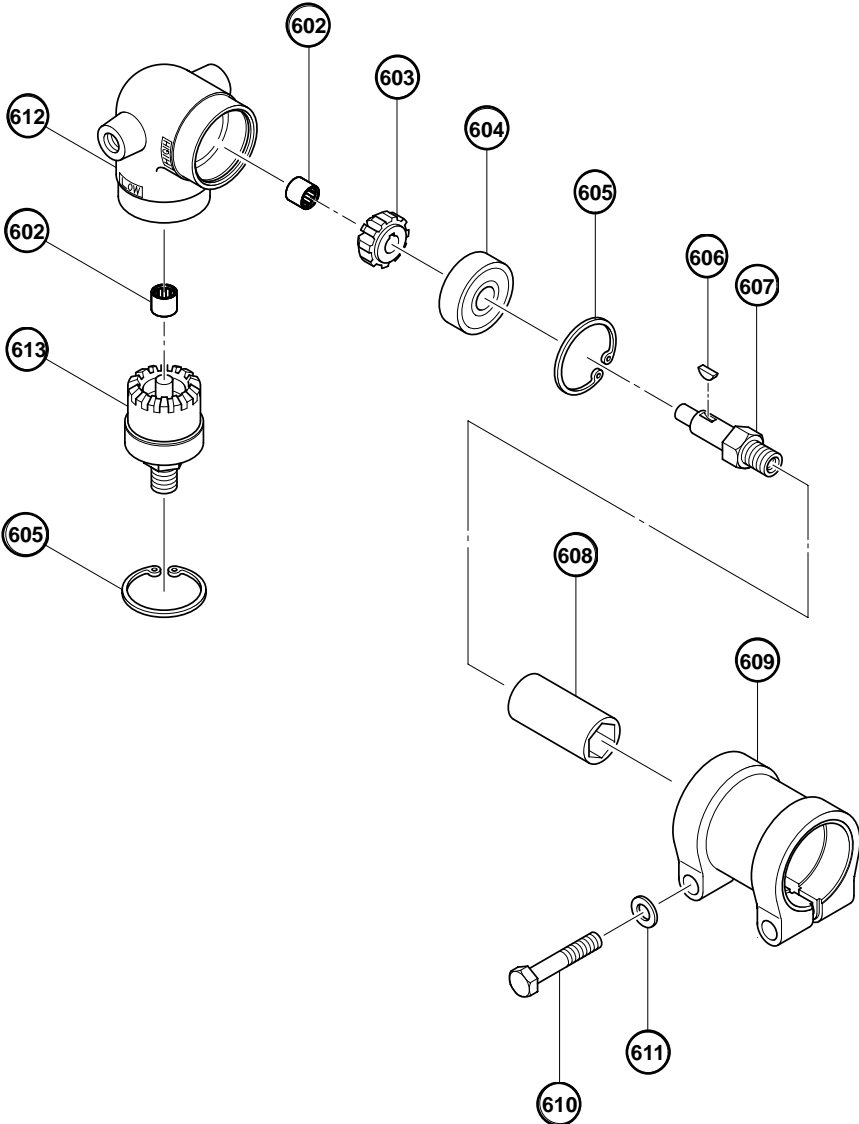


ELECTRIC TOOL PARTS LIST

■ CORDLESS IMPACT DRILL
Model DV 24DV

2001•3•5
(E1)





PARTS

DV 24DV

ITEM NO.	CODE NO.	DESCRIPTION	NO. USED	REMARKS	
1	995-344	FLAT HD. SCREW (A) (LEFT HAND) M6X25	1		
2	315-966	DRILL CHUCK 13VLRC-N (W/O CHUCK WRENCH)	1		
3	319-792	SPINDLE	1		
4	959-150	STEEL BALL D6.35 (10 PCS.)	1		
5	948-001	RETAINING RING FOR D32 HOLE	1		
6	319-794	WASHER	1		
7	600-2VV	BALL BEARING 6002VVCMP2L	1		
8	319-795	RATCHET (A)	1		
9	984-101	SPRING (A)	1		
10	319-793	GEAR COVER	1		
11	319-796	GEAR	1		
12	935-522	METAL	1		
13	319-797	SECOND PINION	1		
14	319-801	CHANGE LEVER	1		
15	319-802	CHANGE SHAFT	1		
16	319-787	INNER COVER	1		
17	316-271	NEEDLE D2.5X25.8	1		
18	319-803	TAPPING SCREW (W/FLANGE) D5X65 (BLACK)	4		
19	319-955	SEAL LOCK FLAT HD. SCREW M4X14 (BLACK)	1		
20	319-799	SHIFT PLATE	1		
21	319-800	SEAL PLATE	1		
22	319-798	SHIFT ARM	1		
23	608-VVM	BALL BEARING 608VVC2PS2L	2		
24	360-553	ARMATURE ASS'Y DC 24V	1	INCLUD.23	
25	319-788	FAN GUIDE	1		
26	960-108	HEX. HD. TAPPING SCREW D4X60	2		
27	319-956	WASHER (B)	2		
28	319-808	HOUSING	1		
29		NAME PLATE	1		
30	319-846	MAGNET	1		
31		HITACHI LABEL	1		
32	319-847	BRUSH CAP	2		
33	999-058	CARBON BRUSH (1 PAIR)	2		
34	319-813	BRUSH HOLDER (A)	1		
35	319-814	BRUSH HOLDER (B)	1		
*	36	318-247	FERRITE CORE	1	FOR EUROPE
	37	319-809	HANDLE (A).(B) SET	1	
	38	319-760	PUSHING BUTTON	1	
	39	319-811	DC-SPEED CONTROL SWITCH	1	
	40	305-490	TAPPING SCREW (W/FLANGE) D4X30 (BLACK)	4	
	41	319-790	GRIP COVER	1	
	42	304-035	TAPPING SCREW (W/FLANGE) D4X25 (BLACK)	2	
	43	319-812	HEAT SINK	1	
	44	993-963	MACHINE SCREW (W/WASHERS) M3X12	1	
	45	319-894	TERMINAL SUPPORT	1	
*	46	319-805	BATTERY EB 2420 (W/ENGLISH N.P.)	1	
*	46	319-806	BATTERY EB 2420 (W/ENGLISH N.P.)	1	FOR USA
*	46	319-807	BATTERY EB 2430HA (W/ENGLISH N.P.)	1	FOR NOR,SWE,DEN

