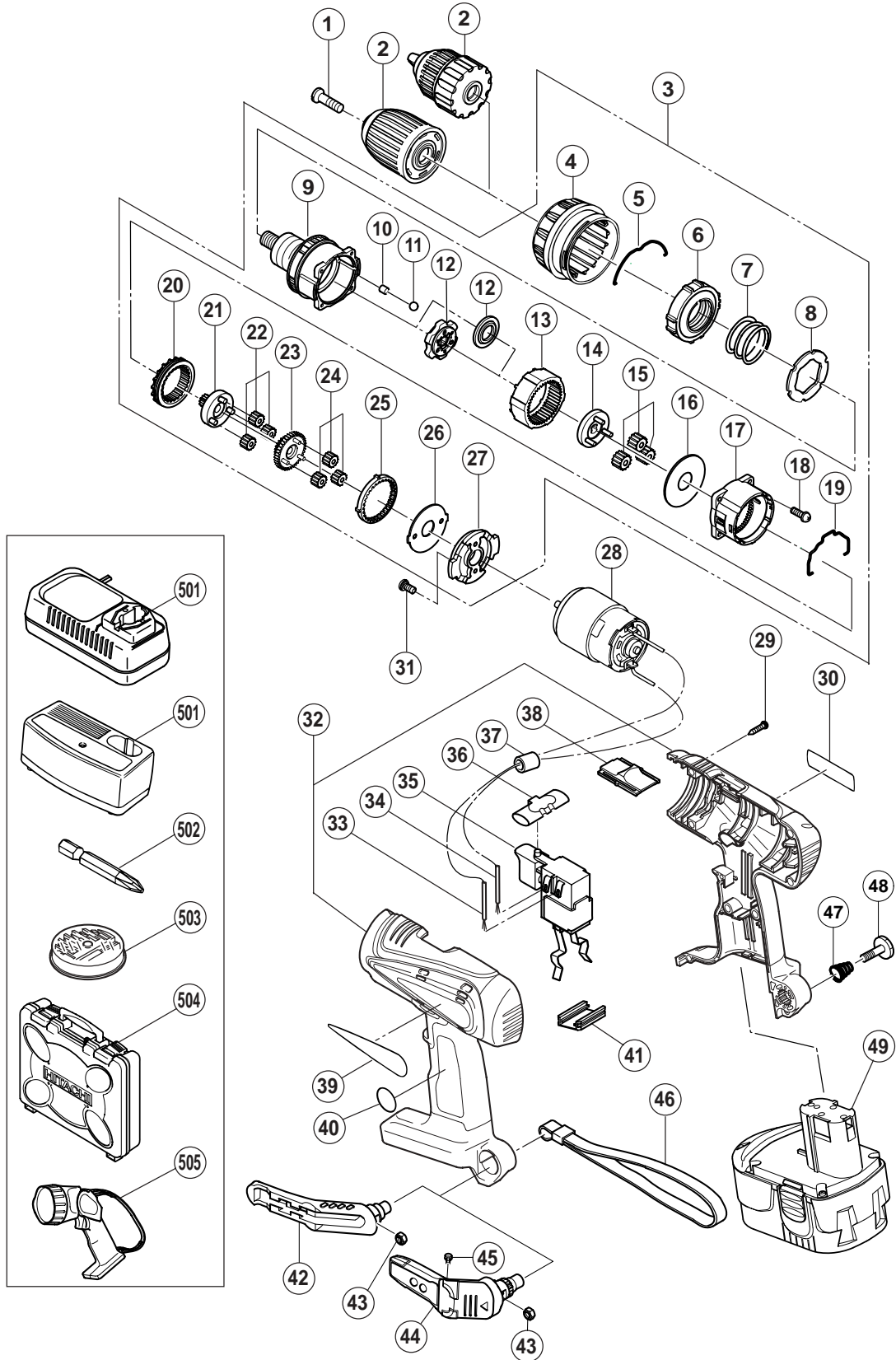


ELECTRIC TOOL PARTS LIST

■ CORDLESS DRIVER DRILL
Model DS 18DVB2

2004 • 4 • 30
(E1)



PARTS

DS 18DVB2

ITEM NO.	CODE NO.	DESCRIPTION	NO. USED	REMARKS
1	311-959	SPECIAL SCREW (LEFT HAND) M6X23	1	
* 2	320-684	DRILL CHUCK 13VLRG-N (W/O CHUCK WRENCH)	1	
* 2	322-625	DRILL CHUCK 13VLRJ-N (W/O CHUCK WRENCH)	1	FOR CHN
* 3	323-013	GEAR BOX ASS'Y	1	INCLUD. 4-27
* 3	323-017	GEAR BOX ASS'Y	1	INCLUD. 4-27 FOR CHN
4	319-755	CAP	1	
5	319-754	CLICK SPRING	1	
6	319-743	NUT	1	
7	323-015	SPRING	1	
8	319-741	THRUST WASHER	1	
* 9	323-014	FRONT CASE	1	
* 9	323-018	FRONT CASE	1	FOR CHN
10	319-744	ROLLER	6	
11	306-936	STEEL BALL D5	6	
* 12	320-928	LOCK RING	1	
* 12	319-746	SPACER WASHER	1	FOR CHN
13	319-745	RING GEAR	1	
* 14	320-929	CARRIER	1	
* 14	319-747	CARRIER	1	FOR CHN
15	319-769	PLANET GEAR (C) SET (3 PCS.)	3	
16	312-704	WASHER (A)	1	
17	319-748	REAR CASE	1	
18	312-712	SCREW SET D3X12 (4 PCS.)	4	
19	319-753	SHIFT ARM	1	
20	319-750	SLIDE RING GEAR	1	
21	319-749	PINION (C)	1	
22	319-768	PLANET GEAR (B) SET (3 PCS.)	3	
23	319-751	PINION (B)	1	
24	319-767	PLANET GEAR (A) SET (3 PCS.)	3	
25	319-752	FIRST RING GEAR	1	
26	312-716	WASHER (B)	1	
27	316-955	MOTOR SPACER	1	
28	319-756	MOTOR	1	
29	313-687	TAPPING SCREW (W/FLANGE) D3X16 (BLACK)	8	
30		NAME PLATE	1	
31	317-333	MACHINE SCREW (W/SP. WASHER) M4X6	2	
32	322-503	HOUSING (A).(B) SET	1	
* 33	319-759	INTERNAL WIRE (BLACK) 100L	1	
* 33	320-159	INTERNAL WIRE (BLACK) 160L	1	EXCEPT FOR CHN, NZL, AUS, USA, CAN
34	319-758	INTERNAL WIRE (RED) 130L	1	
35	320-091	DC-SPEED CONTROL SWITCH	1	
36	319-760	PUSHING BUTTON	1	
* 37	318-247	FERRITE CORE	1	EXCEPT FOR CHN, NZL, AUS, USA, CAN
38	318-234	SHIFT KNOB	1	
39		HITACHI LABEL	1	
* 40		LABEL (B)	1	FOR CHN
41	315-141	TERMINAL SUPPORT (A)	1	
* 42	320-287	HOOK ASS'Y	1	INCLUD. 43
43	320-288	V-LOCK NUT M5	1	
* 44	321-918	HOOK ASS'Y (W/LIGHT)	1	INCLUD. 43, 45
45	321-672	TAPPING SCREW D2X6	2	

