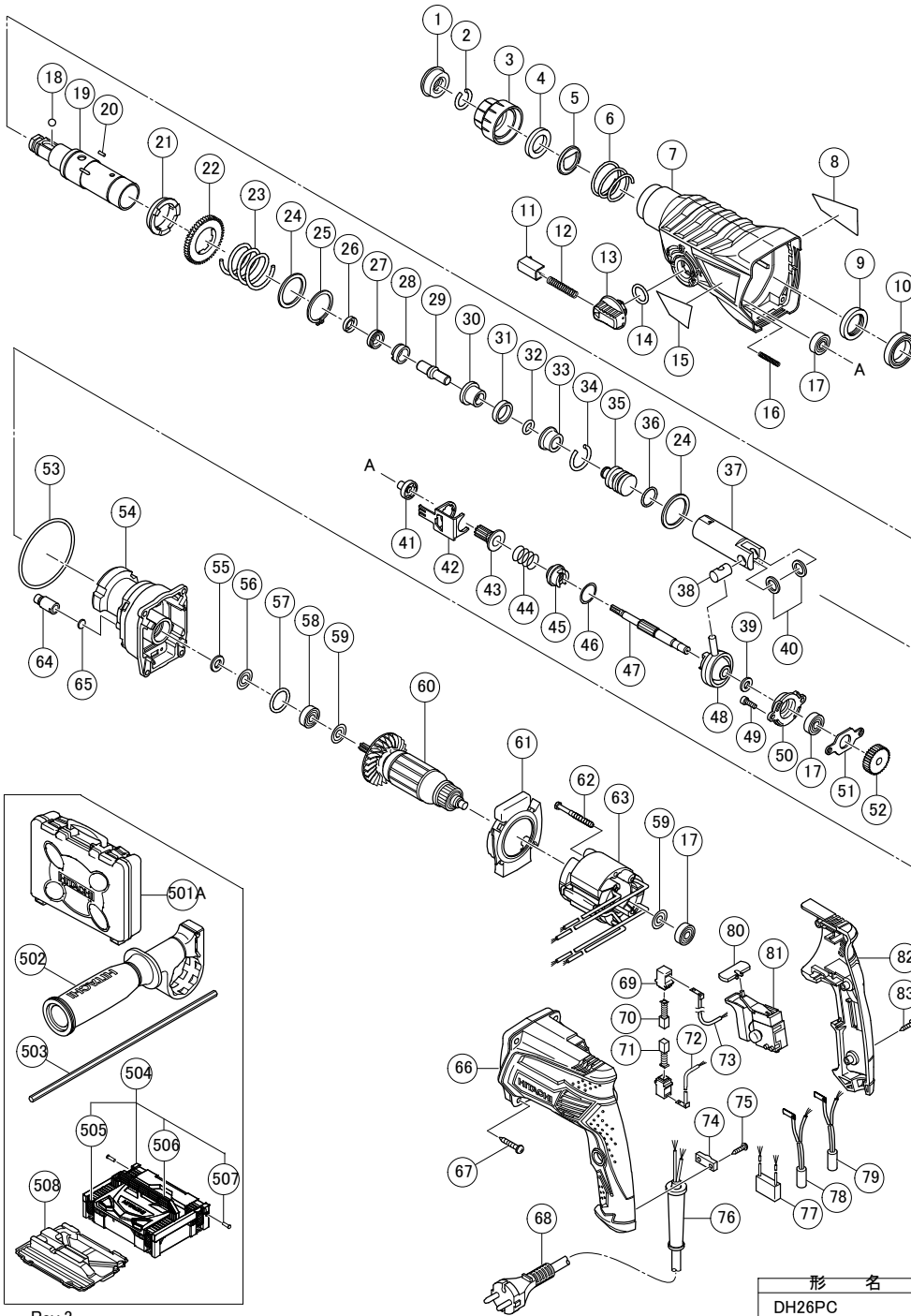


# ROTARY HAMMER DH 26PC

Page:1/1

Blokkolás...



## ROTARY HAMMER DH 26PC

| Item No. | Code No. | Description                          | No. used | Remarks         |
|----------|----------|--------------------------------------|----------|-----------------|
| 1        | 306345   | FRONT CAP                            | 1        |                 |
| 2        | 306340   | STOPPER RING                         | 1        |                 |
| 3        | 324527   | GRIP                                 | 1        |                 |
| 4        | 324528   | BALL HOLDER                          | 1        |                 |
| 5        | 324526   | HOLDER PLATE                         | 1        |                 |
| 6        | 322812   | HOLDER SPRING                        | 1        |                 |
| 7        | 335274   | GEAR COVER                           | 1        |                 |
| 8        |          | NAME PLATE                           | 1        |                 |
| 9        | 335259   | OIL SEAL                             | 1        |                 |
| 10       | 335260   | BALL BEARING 6805DD                  | 1        |                 |
| 11       | 322789   | PUSHING BUTTON                       | 1        |                 |
| 12       | 317223   | PUSHING SPRING                       | 1        |                 |
| 13       | 334011   | CHANGE LEVER                         | 1        |                 |
| 14       | 878885   | O-RING (S-18)                        | 1        |                 |
| 15       |          | HITACHI LABEL                        | 1        |                 |
| 16       | 335800   | SPRING (E)                           | 1        |                 |
| 17       | 608VVM   | BALL BEARING 608VVC2PS2L             | 3        |                 |
| 18       | 335300   | STEEL BALL D7.0 (10 PCS.)            | 1        |                 |
| 19       | 335261   | CYLINDER                             | 1        |                 |
| 20       | 335264   | PIN D2.5                             | 4        |                 |
| 21       | 335263   | CYLINDER CLUTCH                      | 1        |                 |
| 22       | 335265   | SECOND GEAR                          | 1        |                 |
| 23       | 335266   | SPRING (A)                           | 1        |                 |
| 24       | 301679   | WASHER (A)                           | 2        |                 |
| 25       | 948310   | RETAINING RING FOR D30 SHAFT         | 1        |                 |
| 26       | 335262   | OIL SEAL (A)                         | 1        |                 |
| 27       | 335268   | HAMMER HOLDER (C)                    | 1        |                 |
| 28       | 335795   | SLEEVE (FW)                          | 1        |                 |
| 29       | 335269   | SECOND HAMMER                        | 1        |                 |
| 30       | 335267   | HAMMER HOLDER (A)                    | 1        |                 |
| 31       | 322805   | DAMPER (A)                           | 1        |                 |
| 32       | 322808   | O-RING (C)                           | 1        |                 |
| 33       | 324524   | DAMPER HOLDER                        | 1        |                 |
| 34       | 322807   | STOPPER RING                         | 1        |                 |
| 35       | 335246   | STRIKER                              | 1        |                 |
| 36       | 335247   | O-RING D17                           | 1        |                 |
| 37       | 335255   | PISTON                               | 1        |                 |
| 38       | 335793   | PISTON PIN                           | 1        |                 |
| 39       | 335250   | BEARING WASHER                       | 1        |                 |
| 40       | 335794   | PISTON WASHER                        | 2        |                 |
| 41       | 335275   | PINION SLEEVE                        | 1        |                 |
| 42       | 335276   | LOCK PLATE                           | 1        |                 |
| 43       | 335278   | SECOND PINION                        | 1        |                 |
| 44       | 323182   | CLUTCH SPRING                        | 1        |                 |
| 45       | 335254   | CLUTCH                               | 1        |                 |
| 46       | 331315   | WASHER                               | 1        |                 |
| 47       | 335277   | SECOND SHAFT                         | 1        |                 |
| 48       | 335249   | RECIPROCATING BEARING                | 1        |                 |
| 49       | 990079   | SEAL LOCK HEX. SOCKET HD. BOLT M5X16 | 2        |                 |
| 50       | 335270   | BEARING HOLDER                       | 1        |                 |
| 51       | 335271   | BEARING COVER                        | 1        |                 |
| 52       | 335253   | FIRST GEAR                           | 1        |                 |
| 53       | 335245   | O-RING D72.2                         | 1        |                 |
| 54       | 335272   | INNER COVER                          | 1        |                 |
| 55       | 322816   | FELT PACKING                         | 1        |                 |
| 56       | 322818   | PACKING WASHER                       | 1        |                 |
| 57       | 876796   | O-RING (P-22)                        | 1        |                 |
| 58       | 608DDM   | BALL BEARING 608DDC2PS2L             | 1        |                 |
| 59       | 982631   | WASHER (A)                           | 2        |                 |
| *60      | 360961U  | ARMATURE ASS'Y 110V-127V             | 1        | INCLUD.17,58,59 |
| *60      | 360961E  | ARMATURE 220V-230V                   | 1        |                 |
| *60      | 360961F  | ARMATURE 240V                        | 1        |                 |
| 61       | 335244   | FAN GUIDE                            | 1        |                 |
| 62       | 961672   | HEX. HD. TAPPING SCREW D4X50         | 2        |                 |
| *63      | 340850C  | STATOR 110V-127V                     | 1        |                 |
| *63      | 340850G  | STATOR 110V                          | 1        | FOR TPE         |
| *63      | 340850E  | STATOR 220V-230V                     | 1        |                 |
| *63      | 340850F  | STATOR 240V                          | 1        |                 |

| Item No. | Code No. | Description                             | No. used | Remarks   |
|----------|----------|---|----------|---|
| 64       | 334008   | AIR CAP                                 | 1        |   |
| 65       | 324543   | FELT PACKING (A)                        | 1        |   |
| 66       | 335241   | HOUSING                                 | 1        |   |
| 67       | 301654   | TAPPING SCREW (W/FLANGE) D5X35          | 4        |   |
| *68      | 500390Z  | CORD                                    | 1        | (CORD ARMOR D8.8)                                   |
| *68      | 500235Z  | CORD                                    | 1        | (CORD ARMOR D8.8) FOR INA,IND,PAN (220V)            |
| *68      | 500249Z  | CORD                                    | 1        | (CORD ARMOR D8.8) FOR PAN (120V),MEX                |
| *68      | 500408Z  | CORD                                    | 1        | (CORD ARMOR D8.8) FOR AUS,NZL                       |
| *68      | 500424Z  | CORD                                    | 1        | (CORD ARMOR D8.8) FOR MAL,UAE                       |
| *68      | 500239Z  | CORD                                    | 1        | (CORD ARMOR D10.1) FOR THA,VEN                      |
| *68      | 500487Z  | CORD                                    | 1        | (CORD ARMOR D8.8) FOR BRA                           |
| *68      | 500391Z  | CORD                                    | 1        | (CORD ARMOR D8.8) FOR SUI                           |
| *68      | 500456Z  | CORD                                    | 1        | (CORD ARMOR D8.8) FOR CHN                           |
| *68      | 500440Z  | CORD                                    | 1        | (CORD ARMOR D8.8) FOR HKG                           |
| *68      | 323974   | CORD                                    | 1        | (CORD ARMOR D10.1) FOR TPE                          |
| *68      | 500475Z  | CORD                                    | 1        | (CORD ARMOR D8.8) FOR KOR                           |
| 69       | 955203   | BRUSH HOLDER                            | 2        |   |
| 70       | 999041   | CARBON BRUSH (1 PAIR)                   | 1        |   |
| 71       | 999072   | CARBON BRUSH (AUTO STOP TYPE) (1 PAIR)  | 1        |   |
| 72       | 324538   | INTERNAL WIRE (A) (BLUE)                | 1        | FOR BRA,PAN,MEX,THA,INA,MAL,HKG,UAE,IND, VEN        |
| *72      | 324538   |   |          |   |
| 73       | 324537   | INTERNAL WIRE (A) (BROWN)               | 1        | FOR BRA,PAN,MEX,THA,INA,MAL,HKG,UAE,IND, VEN        |
| *73      | 324537   |   |          |   |
| 74       | 937631   | CORD CLIP                               | 1        |   |
| 75       | 984750   | TAPPING SCREW (W/FLANGE) D4X16          | 2        |   |
| *76      | 953327   | CORD ARMOR D8.8                         | 1        |   |
| *76      | 938051   | CORD ARMOR D10.1                        | 1        |   |
| 77       | 930039   | NOISE SUPPRESSOR                        | 1        | EXCEPT FOR BRA,PAN,MEX,THA,INA,MAL,HKG, UAE,IND,VEN |
| *77      | 930039   |   |          |   |
| 78       | 335857   | CHOKE COIL (A) BROWN                    | 1        | EXCEPT FOR BRA,PAN,MEX,THA,INA,MAL,HKG, UAE,IND,VEN |
| *78      | 335857   |   |          |   |
| 79       | 324551   | CHOKE COIL (A) BLUE                     | 1        | EXCEPT FOR BRA,PAN,MEX,THA,INA,MAL,HKG, UAE,IND,VEN |
| *79      | 324551   |   |          |   |
| 80       | 322853   | PUSHING BUTTON                          | 1        |   |
| *81      | 335796   | SWITCH                                  | 1        |   |
| *81      | 335256   | SWITCH (1P PILLAR TYPE)                 | 1        | FOR TPE,MEX,PAN (120V),BRA (127V),VEN               |
| *81      | 337388   | SWITCH                                  | 1        | FOR USA,CAN   |
| 82       | 335242   | HANDLE COVER                            | 1        |   |
| 83       | 301653   | TAPPING SCREW (W/FLANGE) D4X20 (BLACK)  | 3        |   |
|          |          | STANDARD ACCESSORIES                    |          |   |
| 501A     | 337257   | CASE                                    | 1        |   |
| 502      | 335273   | SIDE HANDLE                             | 1        |   |
| *503     | 303709   | DEPTH GAUGE                             | 1        |   |
| *503     | 310331   | DEPTH GAUGE                             | 1        | FOR PAN (120V),MEX                                  |
| 504      | 337739   | CASE ASS'Y (STACKABLE)                  | 1        | INCLUD.505-507                                      |
| 505      | 336472   | LATCH                                   | 4        |   |
| 506      | 336473   | HANDLE                                  | 1        |   |
| 507      | 336474   | HINGE                                   | 2        |   |
| 508      | 337741   | INNER TRAY                              | 1        |   |
|          |          | OPTIONAL ACCESSORIES                    |          |   |
| 601      | 306885   | DUST COLLECTOR (B) ASS'Y                | 1        | INCLUD.602,610                                      |
| 602      | 986802   | DUST COLLECTOR ASS'Y                    | 1        | INCLUD.603-609                                      |
| 603      | 986803   | DUST COVER                              | 1        |   |
| 604      | 986804   | SEAL COVER                              | 1        |   |
| 605      | 948310   | RETAINING RING FOR D30 SHAFT            | 1        |   |
| 606      | 958063   | WASHER                                  | 1        |   |
| 607      | 959150   | STEEL BALL D6.35 (10 PCS.)              | 19       |   |
| 608      | 986805   | OUTER RACE                              | 1        |   |
| 609      | 986806   | SOCKET                                  | 1        |   |
| 610      | 306910   | SOCKET ADAPTER (B)                      | 1        |   |
| 611      | 971787   | DUST CUP                                | 1        |   |
| 612      | 931844   | STOPPER                                 | 1        |   |
| 613      | 321814   | DRILL CHUCK 13VLRB-D                    | 1        | INCLUD.614  |
| 614      | 331966   | FLAT HD. SCREW (LEFT HAND) M6X20        | 1        |   |
| 615      | 321813   | DRILL CHUCK 13VLD-D                     | 1        |   |
| 616      | 971511Z  | + DRIVER BIT (A) NO.2 25L               | 1        |   |
| 617      | 971512Z  | + DRIVER BIT (A) NO.3 25L               | 1        |   |
| 618      | 944477   | COTTER                                  | 1        |   |
| 619      | 982684   | CENTER PIN (A) 109L FOR CORE BIT D32-38 | 1        |   |
| 620      | 982685   | CENTER PIN (B) 104L FOR CORE BIT D45-90 | 1        |   |
| 621      | 982672   | CORE BIT (A) 25MM                       | 1        |   |
| 622      | 982673   | CORE BIT (A) 29MM                       | 1        |   |
| 623      | 982674   | CORE BIT (A) 32MM                       | 1        | INCLUD.624  |
| 624      | 982686   | GUIDE PLATE (FOR CORE BIT 32MM)         | 1        |   |

| Item No. | Code No. | Description                               | No. used | Remarks        |
|----------|----------|---|----------|----------------|
| 625      | 982675   | CORE BIT (A) 35MM                         | 1        | INCLUD.626     |
| 626      | 982687   | GUIDE PLATE (FOR CORE BIT 35MM)           | 1        |                |
| 627      | 982676   | CORE BIT (A) 38MM                         | 1        | INCLUD.628     |
| 628      | 982688   | GUIDE PLATE (FOR CORE BIT 38MM)           | 1        |                |
| 629      | 982677   | CORE BIT (B) 45MM                         | 1        | INCLUD.630     |
| 630      | 982689   | GUIDE PLATE (FOR CORE BIT 45MM)           | 1        |                |
| 631      | 982678   | CORE BIT (B) 50MM                         | 1        | INCLUD.632     |
| 632      | 982690   | GUIDE PLATE (FOR CORE BIT 50MM)           | 1        |                |
| 633      | 971794   | ANCHOR SETTING ADAPTER A W1/4" (MANUAL)   | 1        |                |
| 634      | 971795   | ANCHOR SETTING ADAPTER A W5/16" (MANUAL)  | 1        |                |
| 635      | 971796   | ANCHOR SETTING ADAPTER A W3/8" (MANUAL)   | 1        |                |
| 636      | 971797   | ANCHOR SETTING ADAPTER A W1/2" (MANUAL)   | 1        |                |
| 637      | 971798   | ANCHOR SETTING ADAPTER A W5/8" (MANUAL)   | 1        |                |
| 638      | 971799   | ANCHOR SETTING ADAPTER B W1/4" (MANUAL)   | 1        |                |
| 639      | 971800   | ANCHOR SETTING ADAPTER B W5/16" (MANUAL)  | 1        |                |
| 640      | 971801   | ANCHOR SETTING ADAPTER B W3/8" (MANUAL)   | 1        |                |
| 641      | 971802   | ANCHOR SETTING ADAPTER B W1/2" (MANUAL)   | 1        |                |
| 642      | 971803   | ANCHOR SETTING ADAPTER B W5/8" (MANUAL)   | 1        |                |
| 643      | 944460   | TAPER SHANK DRILL BIT D11X100             | 1        |                |
| 644      | 944461   | TAPER SHANK DRILL BIT D12.3X110           | 1        |                |
| 645      | 993038   | TAPER SHANK DRILL BIT D12.7X110           | 1        |                |
| 647      | 944500   | TAPER SHANK DRILL BIT D14.5X110           | 1        |                |
| 649      | 944464   | TAPER SHANK DRILL BIT D21.5X140           | 1        |                |
| 650      | 320859   | SYRINGE (BLOW-OUT BULB TYPE)              | 1        |                |
| 651      | 303046   | BULL POINT (SDS+) 250MM(ROUND SHANK TYPE) | 1        |                |
| 652      | 303044   | CHEMICAL ANCHOR ADAPTER (SDS+)12.7MMX90L  | 1        |                |
| 653      | 303045   | CHEMICAL ANCHOR ADAPTER(SDS+)19.0MMX100L  | 1        |                |
| 654      | 981122   | SPECIAL SCREW M6X22                       | 1        |                |
| 655      | 930515   | CHUCK WRENCH 10G                          | 1        |                |
| 656      | 302976   | ANCHOR SETTING ADAPTER A (SDS+)W1/4X260L  | 1        |                |
| 657      | 302975   | ANCHOR SETTING ADAPTER A(SDS+)W5/16X260L  | 1        |                |
| 658      | 303621   | ANCHOR SETTING ADAPTER A (SDS+)W3/8X160L  | 1        |                |
| 659      | 302974   | ANCHOR SETTING ADAPTER A (SDS+)W3/8X260L  | 1        |                |
| 660      | 302979   | ANCHOR SETTING ADAPTER B (SDS+)W1/4X260L  | 1        |                |
| 661      | 302978   | ANCHOR SETTING ADAPTER B(SDS+)W5/16X260L  | 1        |                |
| 662      | 303622   | ANCHOR SETTING ADAPTER B (SDS+)W3/8X160L  | 1        |                |
| 663      | 302977   | ANCHOR SETTING ADAPTER B (SDS+)W3/8X260L  | 1        |                |
| 664      | 303332   | HAMMER DRILL CHUCK SET 13MM               | 1        | INCKUD.665,666 |
| 665      | 303334   | CHUCK HANDLE                              | 1        |                |
| 666      | 303335   | RUBBER CAP                                | 1        |                |
| 667      | 303617   | TAPER SHANK ADAPTER (SDS PLUS) NO.1       | 1        |                |
| 668      | 303618   | TAPER SHANK ADAPTER (SDS PLUS) NO.2       | 1        |                |
| 669      | 303619   | A-TAPER SHANK ADAPTER (SDS PLUS)          | 1        |                |
| 670      | 303620   | B-TAPER SHANK ADAPTER (SDS PLUS)          | 1        |                |
| 671      | 303625   | CORE BIT SHANK (SDS PLUS) 25-38MM 105L    | 1        |                |
| 672      | 303626   | CORE BIT SHANK (SDS PLUS) 25-38MM 300L    | 1        |                |
| 673      | 303627   | CORE BIT SHANK (SDS PLUS) 45-90MM 300L    | 1        |                |
| 674      | 303624   | CHUCK ADAPTER (D) (SDS PLUS)              | 1        |                |
| 675      | 321825   | DRILL CHUCK AND ADAPTER SET               | 1        | INCLUD.613,676 |
| 676      | 303623   | CHUCK ADAPTER (G) (SDS PLUS)              | 1        |                |
| 677      | 306370   | ADAPTER FOR SLENDER SHAFT (SDS PLUS)      | 1        |                |
| 678      | 335781   | GREASE FOR ROTARY HAMMER (500G)           | 1        |                |
| 679      | 335782   | GREASE FOR ROTARY HAMMER (60G)            | 1        |                |