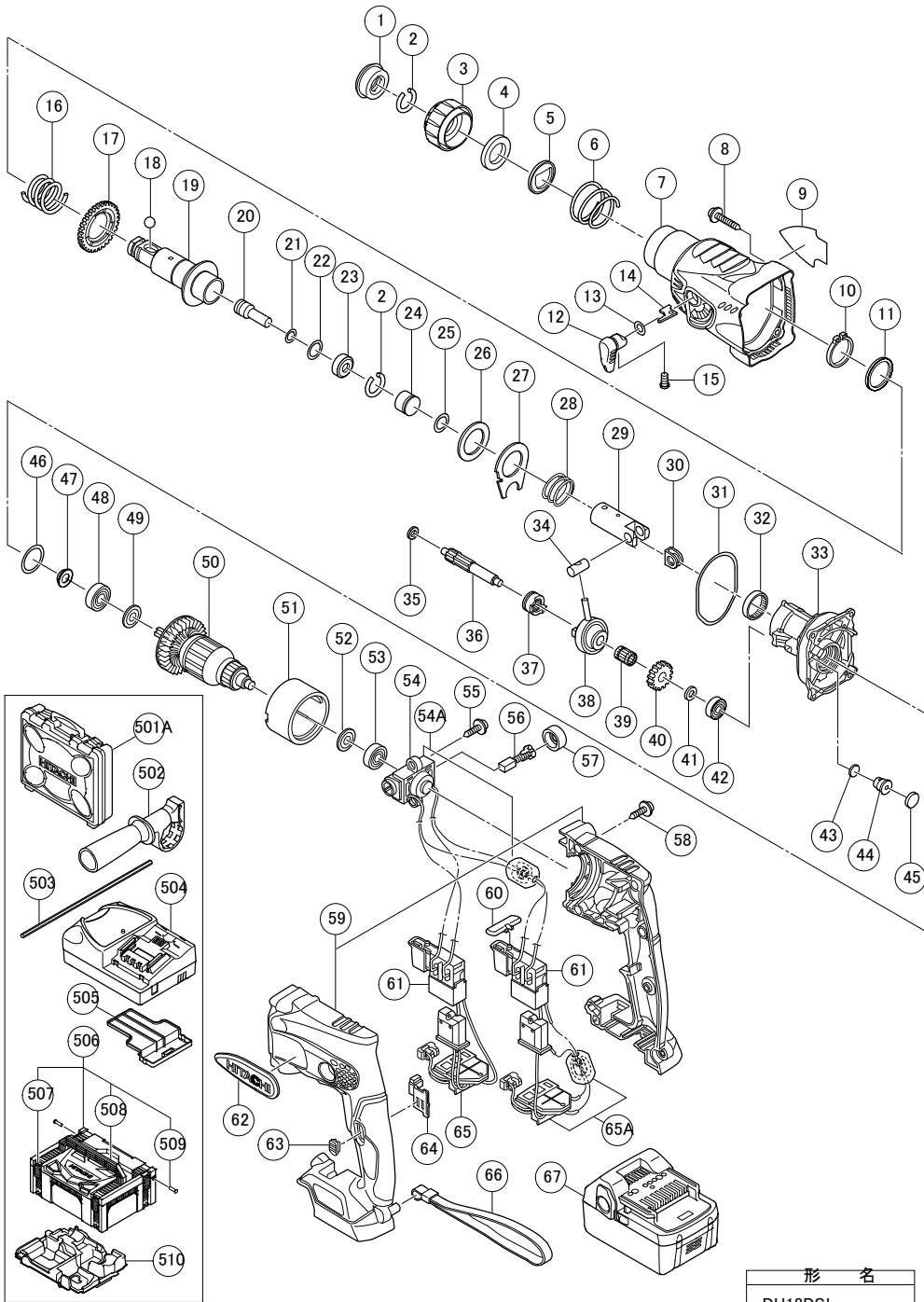


CORDLESS ROTARY HAMMER DH 18DSL

Page:1/1



Rev.4

形名
DH18DSL

CORDLESS ROTARY HAMMER DH 18DSL

Item No.	Code No.	Description	No. used	Remarks
1	306345	FRONT CAP	1	
2	306340	STOPPER RING	2	
3	325597	GRIP	1	
4	327879	BALL HOLDER	1	
5	324526	HOLDER PLATE	1	
6	322812	HOLDER SPRING	1	
7	325593	GEAR COVER	1	
8	305490	TAPPING SCREW (W/FLANGE) D4X30 (BLACK)	4	
9		NAME PLATE	1	
10	965469	RETAINING RING FOR D25 SHAFT	1	
11	944274	WASHER	1	
12	325594	LEVER	1	
13	872654	O-RING (1AP-10)	1	
14	327875	STOPPER	1	
15	949213	MACHINE SCREW M4X5 (10 PCS.)	1	
16	306334	SPRING (A)	1	
17	306333	SECOND GEAR	1	
18	959156	STEEL BALL D7.0 (10 PCS.)	1	
19	327876	CYLINDER	1	
20	327877	SECOND HAMMER	1	
21	301672	O-RING (B)	1	
22	311814	O-RING (P-15)	1	
23	327878	HAMMER HOLDER	1	
24	325601	STRIKER	1	
25	306326	O-RING (A)	1	
26	327880	THRUST WASHER	1	
27	325588	THRUST PLATE	1	
28	306976	SPRING (B)	1	
29	306324	PISTON	1	
30	321007	WASHER (A)	1	
31	325583	O-RING (I.D. D61)	1	
32	306328	NEEDLE BEARING	1	
33	328479	INNER COVER ASS'Y	1	INCLUD.42-45
34	306322	PISTON PIN	1	
35	325587	SPACER	1	
36	327871	SECOND SHAFT	1	
37	325584	CLUTCH	1	
38	325585	RECIPROCATING BEARING	1	
39	306320	NEEDLE CAGE	1	
40	327872	FIRST GEAR	1	
41	995634	WASHER (B) D12.5	1	
42	306328	NEEDLE BEARING	1	
43	324543	FELT PACKING (A)	1	
44	324545	VALVE	1	
45	324544	FELT PACKING (B)	1	
46	878609	O-RING (S-24)	1	
47	306312	FRINGER	1	
48	609DDC	BALL BEARING 609DDC3PS2-L	1	
49	958915	WASHER (A)	1	
50	360809	ARMATURE ASS'Y (W/BEARING) DC 18V	1	INCLUD.48,49,52,53
51	328482	MAGNET	1	
52	980865	WASHER (A)	1	
53	626VVM	BALL BEARING 626VVC2PS2L	1	
54	328486	BRUSH BLOCK	1	EXCEPT FOR EUROPE (TILL 2.2012 FOR EUROPE)
54A	334890	BRUSH BLOCK SET	1	SINCE 3.2012 FOR EUROPE
55	305812	TAPPING SCREW (W/FLANGE) D4X16 (BLACK)	2	
56	999100	CARBON BRUSH (1 PAIR)	2	
57	319847	BRUSH CAP	2	
58	301653	TAPPING SCREW (W/FLANGE) D4X20 (BLACK)	7	
59	330075	HOUSING (A).(B) SET	1	
60	322853	PUSHING BUTTON	1	
61	328484	DC-SPEED CONTROL SWITCH	1	
62		HITACHI LABEL	1	
63	326276	LEVER (A)	1	
64	328480	LEVER (B)	1	
65	330074	CONTROLLER TERMINAL SET	1	EXCEPT FOR EUROPE (TILL 2.2012 FOR EUROPE)

Item No.	Code No.	Description	No. used	Remarks
65A	334895	CONTROLLER SET	1	SINCE 3.2012 FOR EUROPE
66	306952	STRAP (BLACK)	1	
*67	330068	BATTERY BSL 1830 (EUROPE,AUS,NZL)	2	
*67	330067	BATTERY BSL 1830 (USA,CAN)	2	
		STANDARD ACCESSORIES		
501A	337088	CASE	1	
502	324548	SIDE HANDLE	1	
503	303709	DEPTH GAUGE	1	
504		CHARGER (MODEL UC 18YRSL)	1	
505	329897	BATTERY COVER	1	
506	336471	CASE ASS'Y (STACKABLE)	1	INCLUD.507-509
507	336472	LATCH	4	
508	336473	HANDLE	1	
509	336474	HINGE	2	
510	337114	INNER TRAY	1	
		OPTIONAL ACCESSORIES		
601	980927	GREASE FOR HAMMER.HAMMER DRILL (500G)	1	
602	981840	GREASE (A) FOR HAMMER.HAMMER DRILL (30G)	1	
603	308471	GREASE FOR HAMMER.HAMMER DRILL (70G)	1	
604	306885	DUST COLLECTOR (B) ASS'Y	1	INCLUD.605,613
605	986802	DUST COLLECTOR ASS'Y	1	INCLUD.606-612
606	986803	DUST COVER	1	
607	986804	SEAL COVER	1	
608	948310	RETAINING RING FOR D30 SHAFT	1	
609	958063	WASHER	1	
610	959150	STEEL BALL D6.35 (10 PCS.)	19	
611	986805	OUTER RACE	1	
612	986806	SOCKET	1	
613	306910	SOCKET ADAPTER (B)	1	
614	971787	DUST CUP	1	
615	931844	STOPPER	1	
616	321814	DRILL CHUCK 13VLRB-D	1	INCLUD.617
617	995344	FLAT HD. SCREW (A) (LEFT HAND) M6X25	1	
618	321813	DRILL CHUCK 13VLD-D	1	
619	971511Z	+ DRIVER BIT (A) NO.2 25L	1	
620	971512Z	+ DRIVER BIT (A) NO.3 25L	1	
621	944477	COTTER	1	
622	982684	CENTER PIN (A) 109L FOR CORE BIT D32-38	1	
623	982685	CENTER PIN (B) 104L FOR CORE BIT D45-90	1	
624	982672	CORE BIT (A) 25MM	1	
625	982673	CORE BIT (A) 29MM	1	
626	982674	CORE BIT (A) 32MM	1	INCLUD.627
627	982686	GUIDE PLATE (FOR CORE BIT 32MM)	1	
628	982675	CORE BIT (A) 35MM	1	INCLUD.629
629	982687	GUIDE PLATE (FOR CORE BIT 35MM)	1	
630	982676	CORE BIT (A) 38MM	1	INCLUD.631
631	982688	GUIDE PLATE (FOR CORE BIT 38MM)	1	
632	982677	CORE BIT (B) 45MM	1	INCLUD.633
633	982689	GUIDE PLATE (FOR CORE BIT 45MM)	1	
634	982678	CORE BIT (B) 50MM	1	INCLUDL.635
635	982690	GUIDE PLATE (FOR CORE BIT 50MM)	1	
636	971794	ANCHOR SETTING ADAPTER A W1/4" (MANUAL)	1	
637	971795	ANCHOR SETTING ADAPTER A W5/16" (MANUAL)	1	
638	971796	ANCHOR SETTING ADAPTER A W3/8" (MANUAL)	1	
639	971797	ANCHOR SETTING ADAPTER A W1/2" (MANUAL)	1	
640	971798	ANCHOR SETTING ADAPTER A W5/8" (MANUAL)	1	
641	971799	ANCHOR SETTING ADAPTER B W1/4" (MANUAL)	1	
642	971800	ANCHOR SETTING ADAPTER B W5/16" (MANUAL)	1	
643	971801	ANCHOR SETTING ADAPTER B W3/8" (MANUAL)	1	
644	971802	ANCHOR SETTING ADAPTER B W1/2" (MANUAL)	1	
645	971803	ANCHOR SETTING ADAPTER B W5/8" (MANUAL)	1	
646	944460	TAPER SHANK DRILL BIT D11X100	1	
647	944461	TAPER SHANK DRILL BIT D12.3X110	1	
648	993038	TAPER SHANK DRILL BIT D12.7X110	1	
650	944500	TAPER SHANK DRILL BIT D14.5X110	1	
652	944464	TAPER SHANK DRILL BIT D21.5X140	1	
653	303046	BULL POINT (SDS+) 250MM(ROUND SHANK TYPE	1	
654	303044	CHEMICAL ANCHOR ADAPTER (SDS+)12.7MMX90L	1	
655	303045	CHEMICAL ANCHOR ADAPTER(SDS+)19.0MMX100L	1	
656	303617	TAPER SHANK ADAPTER (SDS PLUS) NO.1	1	
657	303619	A-TAPER SHANK ADAPTER (SDS PLUS)	1	
658	303620	B-TAPER SHANK ADAPTER (SDS PLUS)	1	
659	303624	CHUCK ADAPTER (D) (SDS PLUS)	1	
660	303623	CHUCK ADAPTER (G) (SDS PLUS)	1	

Item No.	Code No.	Description	No. used	Remarks
661	302976	ANCHOR SETTING ADAPTER A (SDS+)W1/4X260L	1	
662	302975	ANCHOR SETTING ADAPTER A(SDS+)W5/16X260L	1	
663	303621	ANCHOR SETTING ADAPTER A (SDS+)W3/8X160L	1	
664	302974	ANCHOR SETTING ADAPTER A (SDS+)W3/8X260L	1	
665	302979	ANCHOR SETTING ADAPTER B (SDS+)W1/4X260L	1	
666	302978	ANCHOR SETTING ADAPTER B(SDS+)W5/16X260L	1	
667	303622	ANCHOR SETTING ADAPTER B (SDS+)W3/8X160L	1	
668	302977	ANCHOR SETTING ADAPTER B (SDS+)W3/8X260L	1	
669	303625	CORE BIT SHANK (SDS PLUS) 25-38MM 105L	1	
670	303626	CORE BIT SHANK (SDS PLUS) 25-38MM 300L	1	
671	303627	CORE BIT SHANK (SDS PLUS) 45-90MM 300L	1	
672	303332	HAMMER DRILL CHUCK SET 13MM	1	INCLUD.673,674
673	303334	CHUCK HANDLE	1	
674	303335	RUBBER CAP	1	
675	321825	DRILL CHUCK AND ADAPTER SET	1	INCLUD.676,677,679
676	303623	CHUCK ADAPTER (G) (SDS PLUS)	1	
677	321814	DRILL CHUCK 13VLRB-D	1	INCLUD.678
678	987576	CHUCK WRENCH FOR 13VLB-D,13VLR-D	1	
679	995344	FLAT HD. SCREW (A) (LEFT HAND) M6X25	1	
680	930515	CHUCK WRENCH 10G	1	