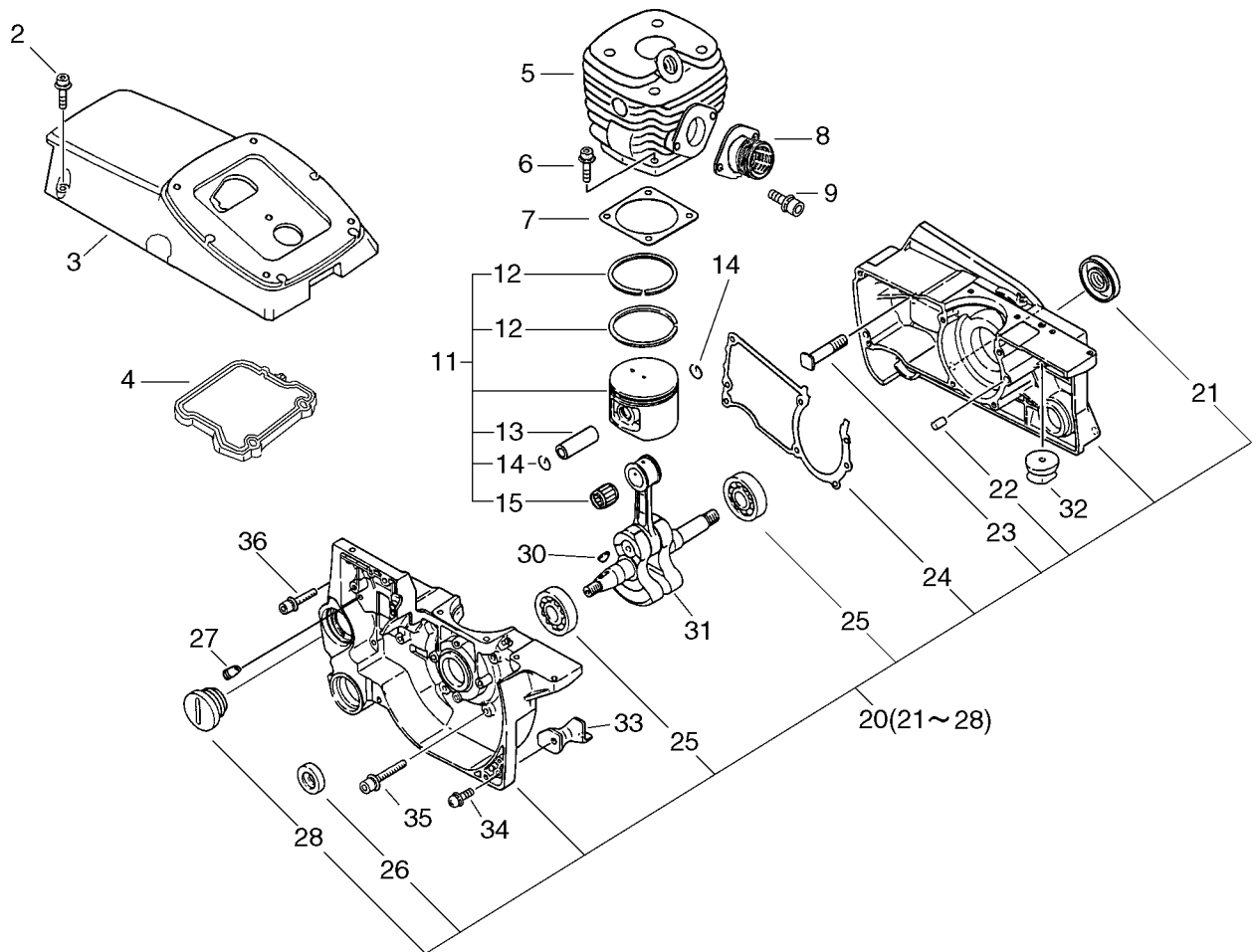


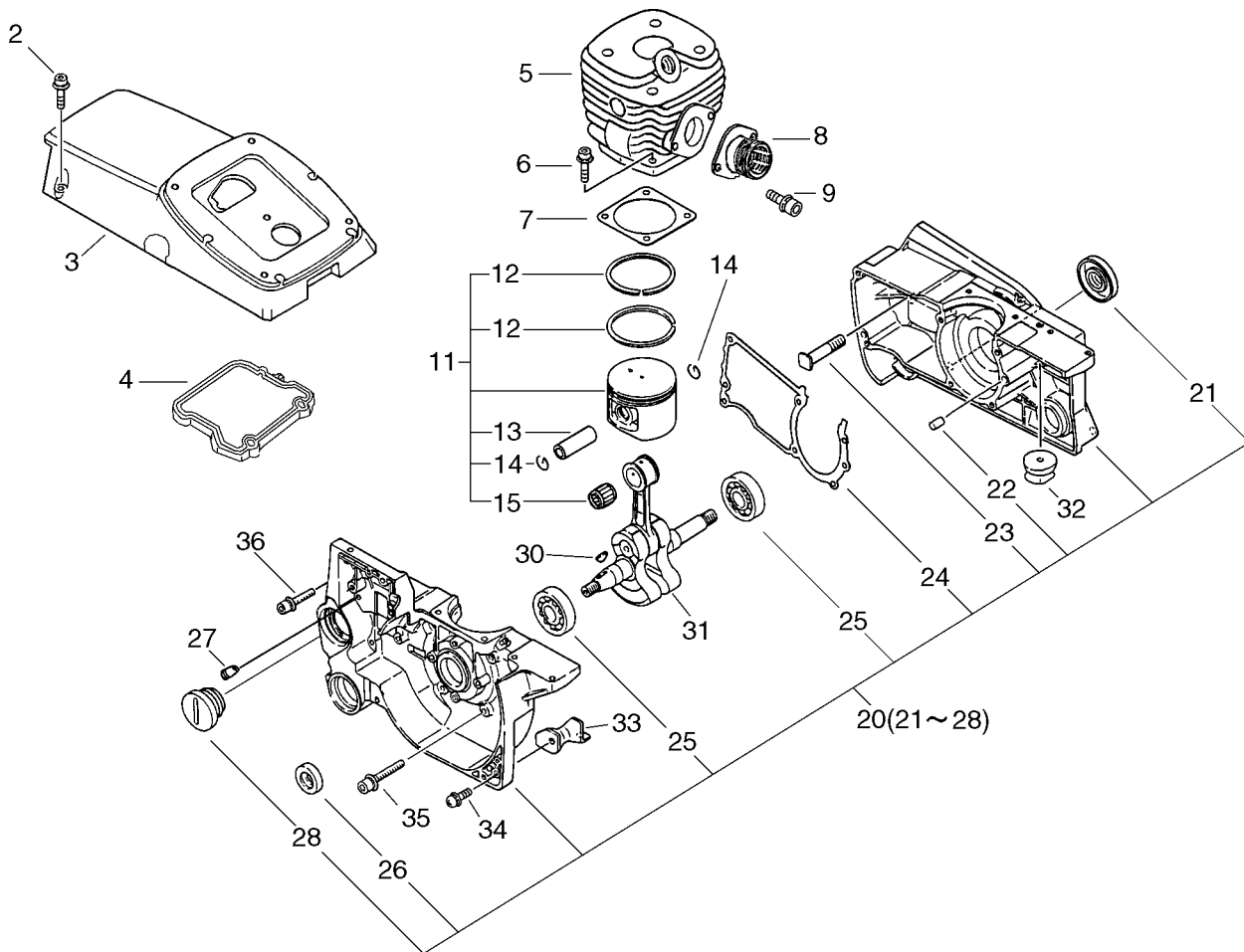
# **PARTS CATALOGUE**

**CUT-OFF SAW**

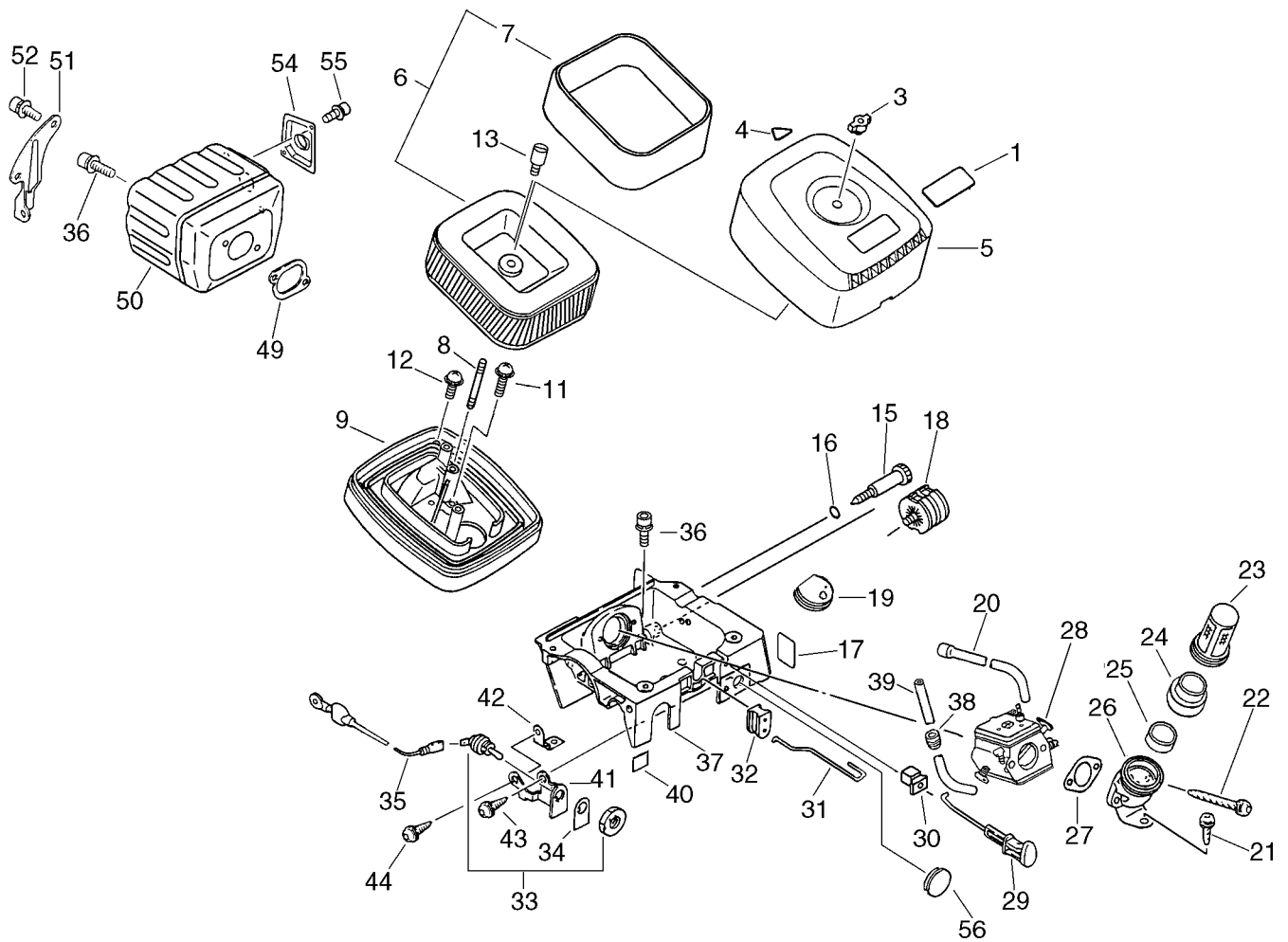
**CM14E**



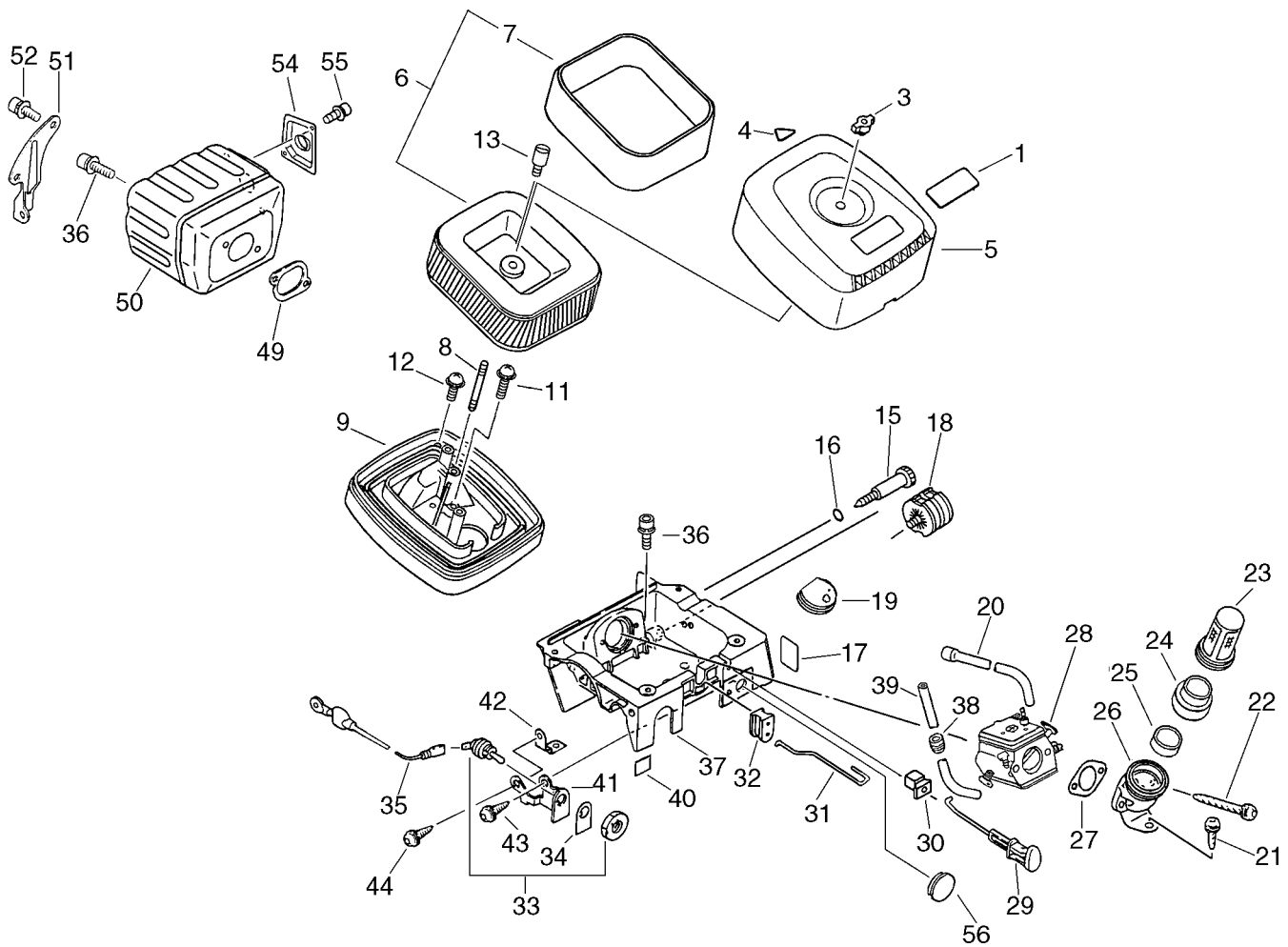
KEY	LV	PART NUMBER	Q'TY	DESCRIPTION	REMARKS
2		900162-05020	5	BOLT, H.S. 5*20	
3		A160-000601	1	COVER,CYLINDER	
4		V420-000701	1	CUSHION	
5		A130-000172	1	CYLINDER	
6		900162-05025	4	BOLT, H.S. 5*25	
7		101010-32431	1	GASKET, CYL. BASE	
8		A202-000040	1	BELLOWS,INTAKE	
9		900162-05014	2	BOLT, H.S. 5*14	
11		P021-002791	1	PISTON KIT	
12	+	100011-32431	2	RING, PISTON	
13	+	V610-000000	1	PIN,ENG 12	
14	+	V580-000000	2	RING,END	
15	+	100012-32430	1	BEARING, NEEDLE	
20		P021-014710	1	CRANKCASE KIT	
21	+	100212-32430	1	OILSEAL (L)	
22	+	100215-02830	2	PIN, DOWEL	
23	+	433011-21860	2	STUD, GUIDE BAR	
24	+	100242-32430	1	GASKET, CRANKCASE	
25	+	900810-36202	2	BEARING, BALL 6202	
26	+	100212-19830	1	OILSEAL	
27	+	436114-13930	1	VALVE, CHECK	
28	+	V162-000300	1	PLUG	
30		100142-30830	1	KEY, WOODRUFF	
31		A011-000292	1	CRANKSHAFT,ASM	



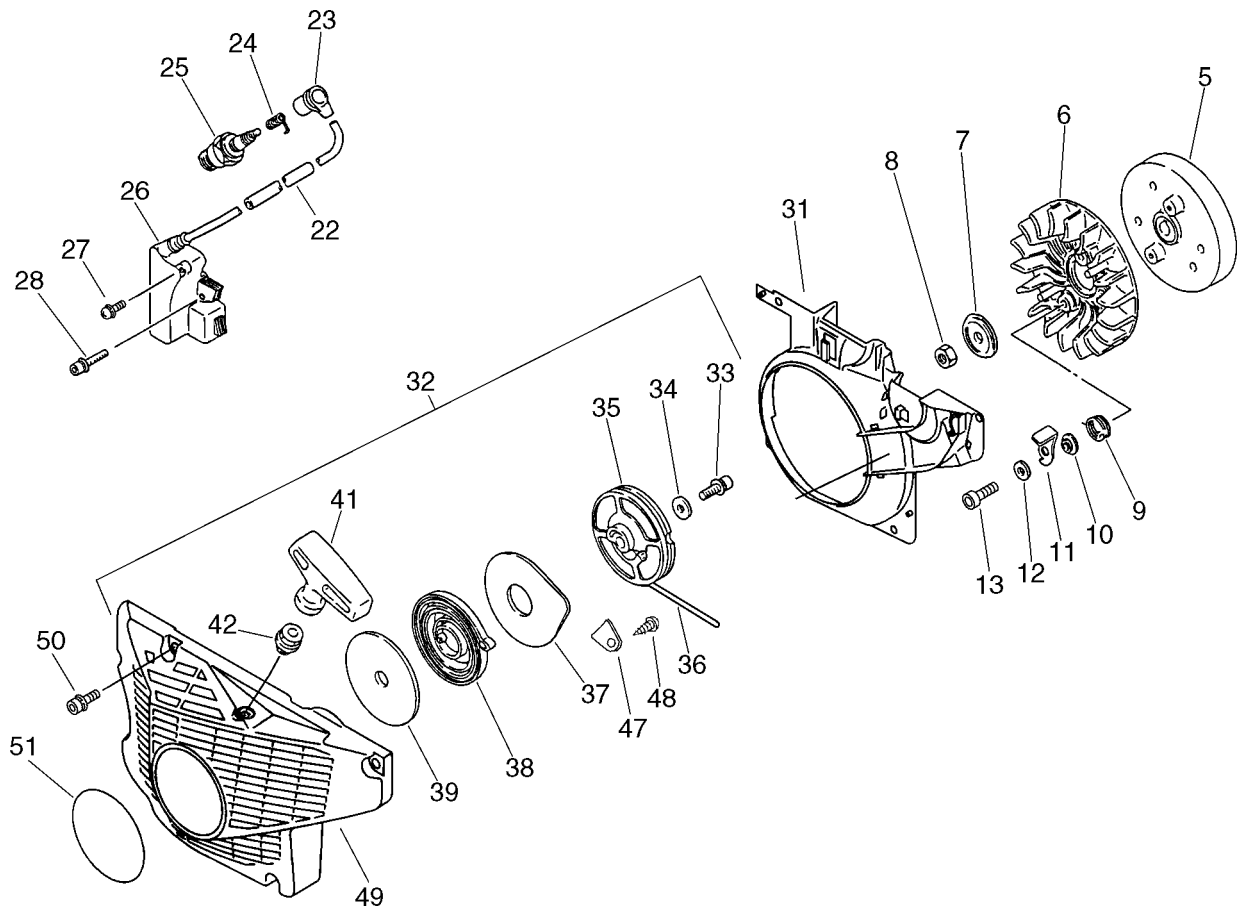
KEY	LV	PART NUMBER	Q'TY	DESCRIPTION	REMARKS
32		100251-32430	1	CUSHION (A)	
33		100917-32430	1	CUSHION (B)	
34		900238-05014	1	SCREW 5*14	
35		900162-05035	4	BOLT, H.S. 5*35	
36		900162-05020	2	BOLT, H.S. 5*20	



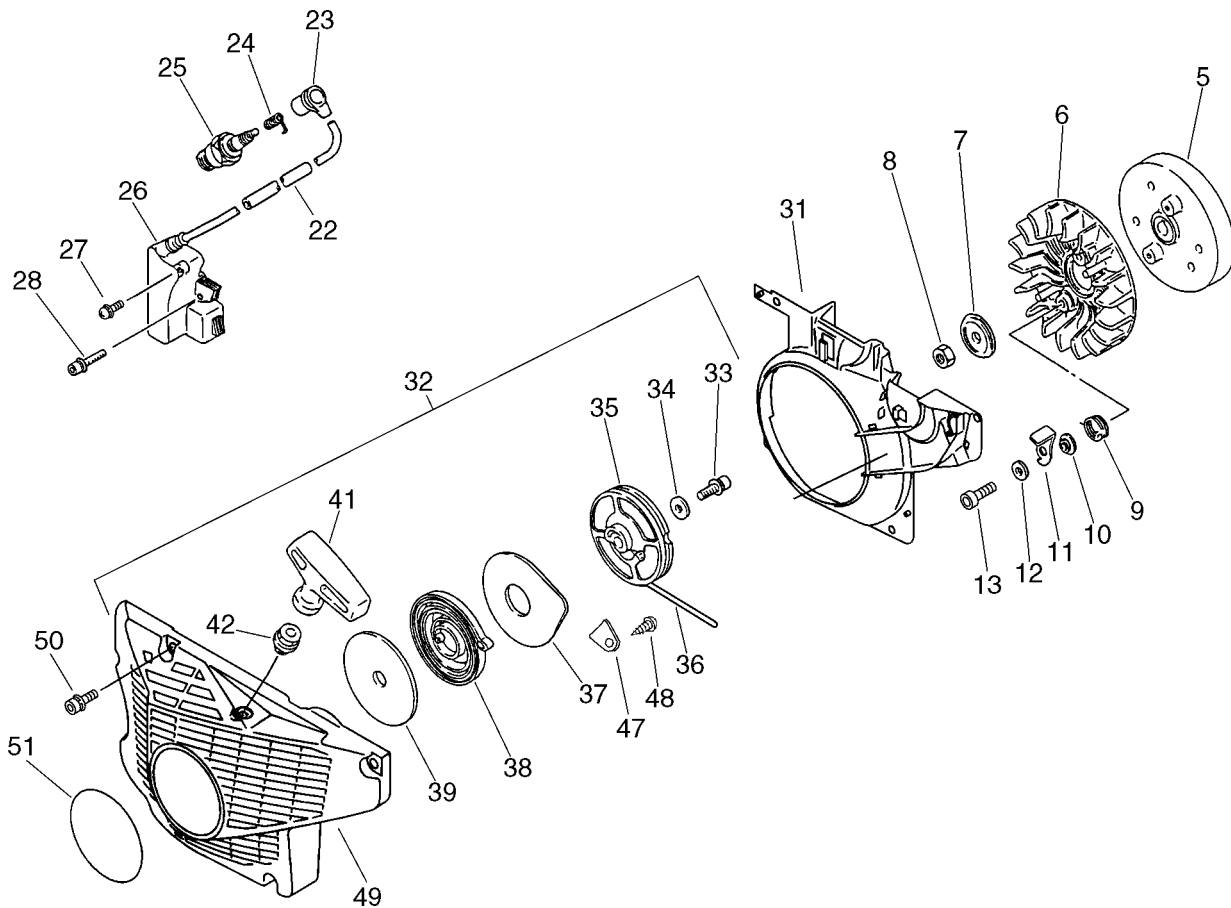
KEY	LV	PART NUMBER	Q'TY	DESCRIPTION	REMARKS
1		X503-009110	1	LABEL,MODEL	
3		130322-05261	1	NUT	
4		890057-07060	1	LABEL	
5		130313-06061	1	COVER, AIR CLEANER	
6		130305-07061	1	FILTER, AIR	
7	+	130305-25061	1	FILTER, AIR	
8		130712-06061	1	STUD	
9		A225-000130	1	CASE,CLEANER	
11		900238-05025	1	SCREW 5*25	
12		900238-05016	4	SCREW 5*16	
13		130435-07060	2	BOLT	
15		129013-30831	1	SCREW, IDLE SPEED	
16		900720-20007	1	O-RING 7	
17		890185-03460	1	LABEL, IDLE	
18		100905-32331	1	CUSHION (R)	
19		V140-000010	1	GROMMET,HOSE	
20		130110-19830	1	PIPE, IMPULSE	
21		900252-05014	1	SCREW 5*14	
22		900252-05053	2	SCREW 5*53	
23		130821-06060	1	SCREEN	
24		V420-000691	1	CUSHION	
25		V362-000020	1	COLLAR,22	
26		A204-000030	1	ELBOW,CARBURETOR	
27		130010-20760	1	GASKET, INTAKE	



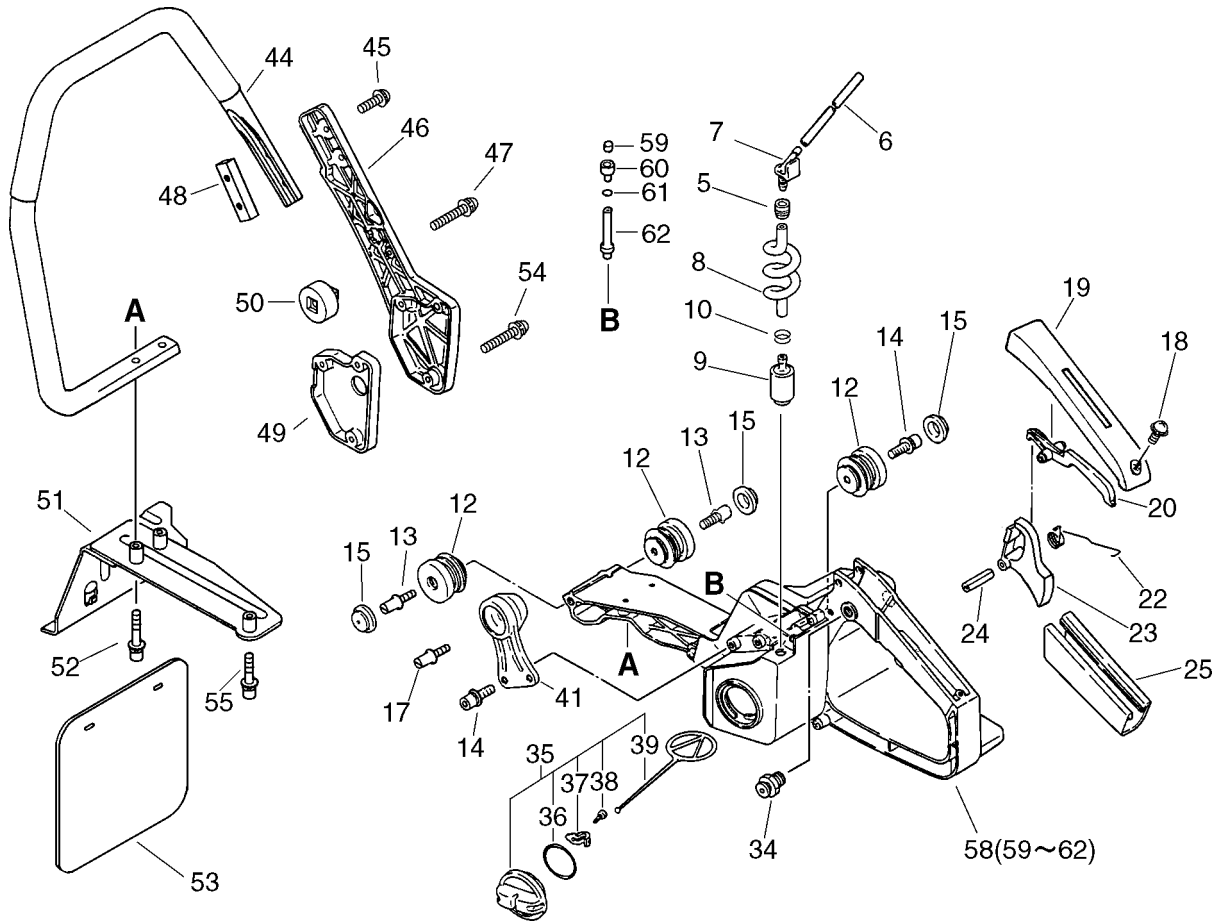
KEY	LV	PART NUMBER	Q'TY	DESCRIPTION	REMARKS
28		A021-000730	1	CARBURETOR,DIAPHRAGM	
29		178510-32330	1	ROD, CHOKE	
30		178810-33331	1	GROMMET, CHOKE	
31		178011-32630	1	ROD, THROTTLE	
32		178114-32630	1	HOLDER, THR. LEVER	
33		163400-30830	1	SWITCH, IGNITION	
34		890157-30130	1	LABEL, SWITCH	
35		162021-32530	1	LEAD	
36		900162-05020	6	BOLT, H.S. 5*20	
37		A220-000050	1	CASE,CARBURETOR	
38		132115-01461	1	GROMMET	
39		437211-14730	1	PIPE, OIL	
40		890157-39130	1	LABEL, SWITCH	
41		163810-30130	1	BRACKET, SWITCH	
42		156635-32530	1	PLATE, GROUND	
43		900252-05010	1	SCREW 5*10	
44		900252-04010	1	SCREW 4*10	
49		145510-32431	1	GASKET, MUFFLER	
50		145610-32430	1	MUFFLER	
51		145711-32430	1	BRACKET, MUFFLER	
52		900162-05014	2	BOLT, H.S. 5*14	
54		A313-000460	1	GUIDE,EXH	
55		900162-04010	2	BOLT, H.S. 4*10	
56		101578-38431	1	PLUG	



KEY	LV	PART NUMBER	Q'TY	DESCRIPTION	REMARKS
5		156800-32631	1	ROTOR, MAGNETO	
6		101521-32330	1	FAN, COOLING	
7		100143-19830	1	WASHER	
8		900500-00008	1	NUT 8	
9		177234-19832	2	SPRING, RETURN	
10		V353-000201	2	COLLAR,5	
11		177218-32631	2	PAWL, STARTER	
12		900603-00005	2	WASHER 5	
13		V203-000150	2	BOLT,5	
22		156611-19830	1	TUBE	
23		A427-000013	1	CAP,SPARK PLUG	
24		A426-000010	1	TERMINAL,SPARKPLUG	
25		159010-10230	1	PLUG, SPARK (BPMR-7A	
26		156601-32632	1	COIL, IGNITION	
27		900242-04008	1	SCREW	
28		900162-04020	2	BOLT, H.S. 4*20	
31		A172-000130	1	COVER,FAN	
32		P021-014730	1	STARTER ASY	
33	+	900162-05014	1	BOLT, H.S. 5*14	
34	+	900603-00005	1	WASHER 5	
35	+	177215-07060	1	DRUM, STARTER	
36	+	177226-06060	1	ROPE, STARTER	
37	+	177221-07060	1	PLATE, STARTER	
38	+	177220-02834	1	SPRING, REWIND	

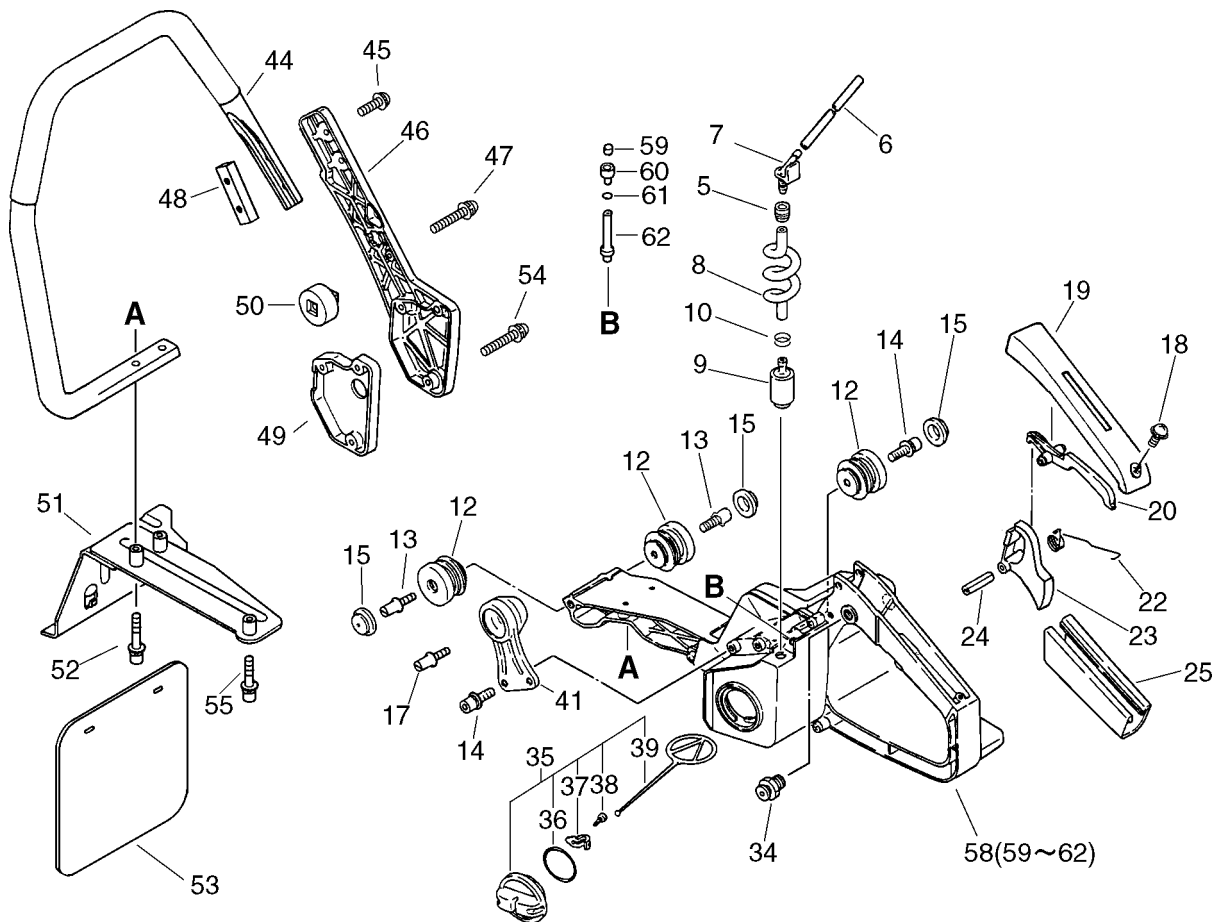


KEY	LV	PART NUMBER	Q'TY	DESCRIPTION	REMARKS
39	+	177221-02830	1	PLATE, STARTER	
41	+	177228-30830	1	GRIP, STARTER	
42	+	177227-07060	1	GUIDE, ROPE	
47	+	433144-15130	1	PLATE,EYE	
48	+	900253-04008	1	SCREW 4*8	
49	+	A500-000550	1	CASE,STARTER	
50		900162-05020	4	BOLT, H.S. 5*20	
51		X504-000860	1	LABEL,BRAND	

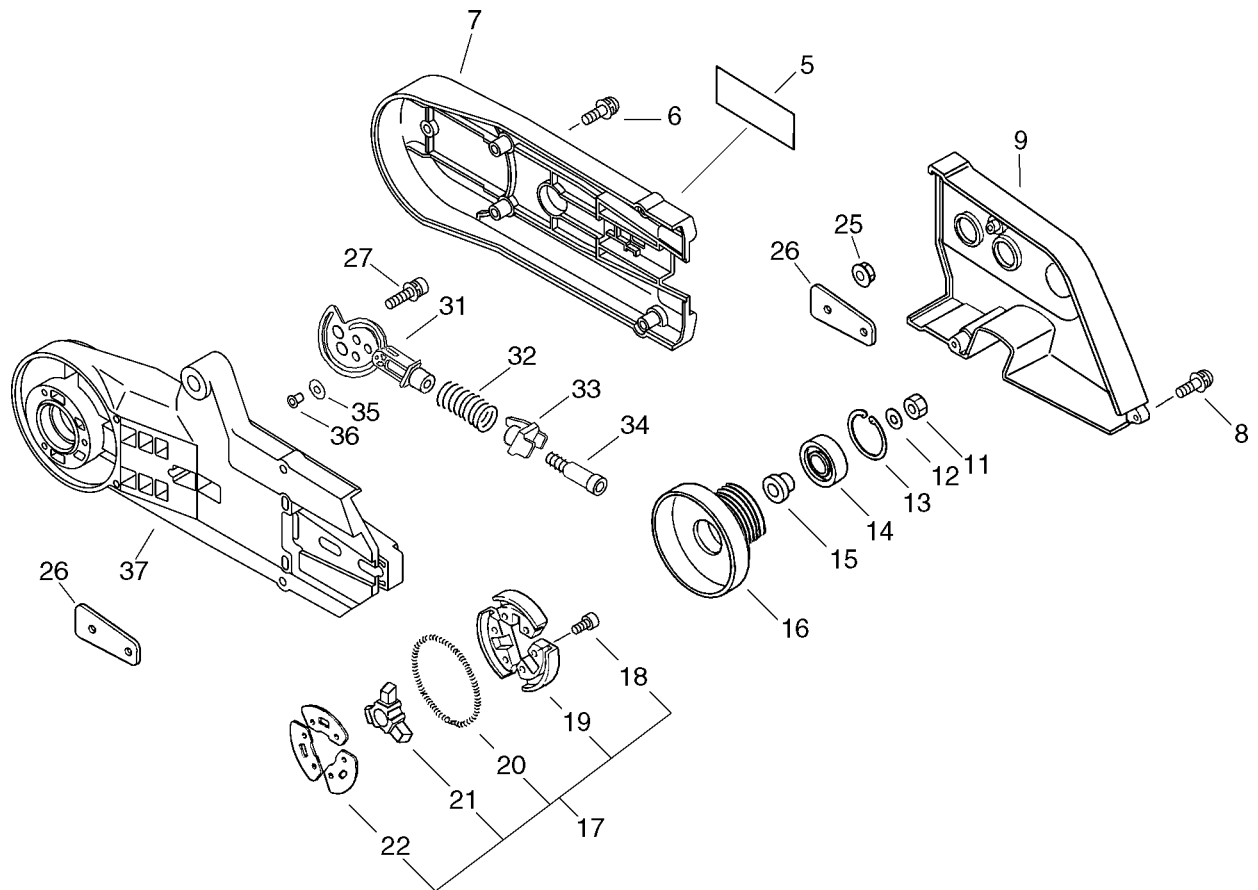


KEY	LV	PART NUMBER	Q'TY	DESCRIPTION	REMARKS
5		132115-01461	1	GROMMET	
6		437217-20760	1	PIPE 3* 6*100	
7		132011-19831	1	CONNECTOR, FUEL PIPE	
8		132010-30830	1	PIPE	
9		131205-19830	1	STRAINER, FUEL	
10		132013-26630	1	CLIP	
12		100922-32430	3	CUSHION (A)	
13		100915-32530	2	BOLT	
14		900162-05014	3	BOLT, H.S. 5*14	
15		100918-19830	3	CAP, CUSHION	
17		100915-33930	1	SCREW	
18		900238-04014	1	SCREW 4*14	
19		351155-35430	1	COVER, HANDLE (BL)	
20		178090-19830	1	LOCKOUT, T. CONTROL	
22		178043-19830	1	SPRING, THR. RETURN	
23		C450-000281	1	TRIGGER, THROTTLE	
24		900342-50025	1	PIN, SPRING 5*25	
25		351111-19830	1	GRIP, HANDLE	
34		178302-12330	1	LATCH, THROTTLE	
35		P021-014720	1	CAP ASSY, FUEL TANK	
36	+	900720-20029	1	O-RING 29	
37	+	131050-19830	1	RETAINER, LINK	
38	+	900246-03008	1	SCREW 3*8	
39	+	131051-19830	1	LINK	

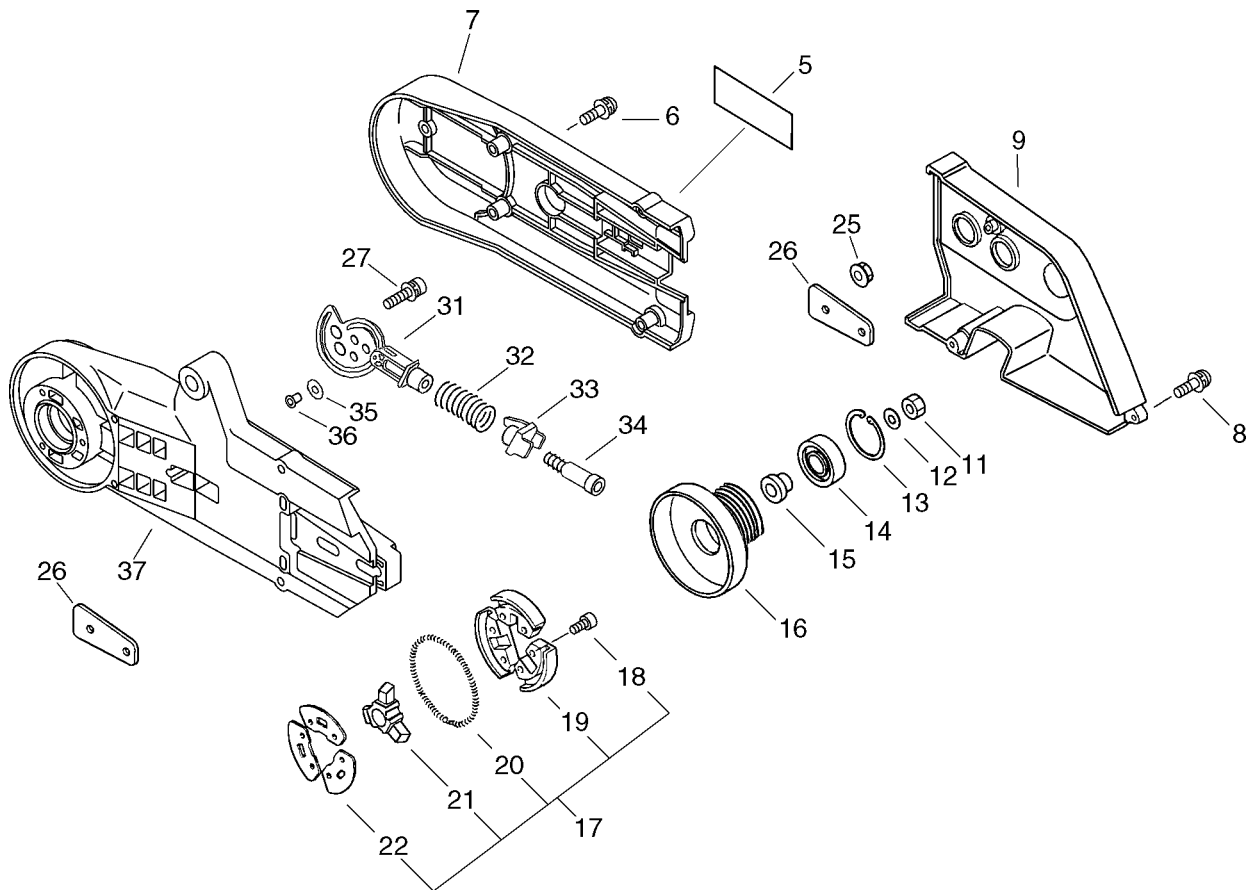




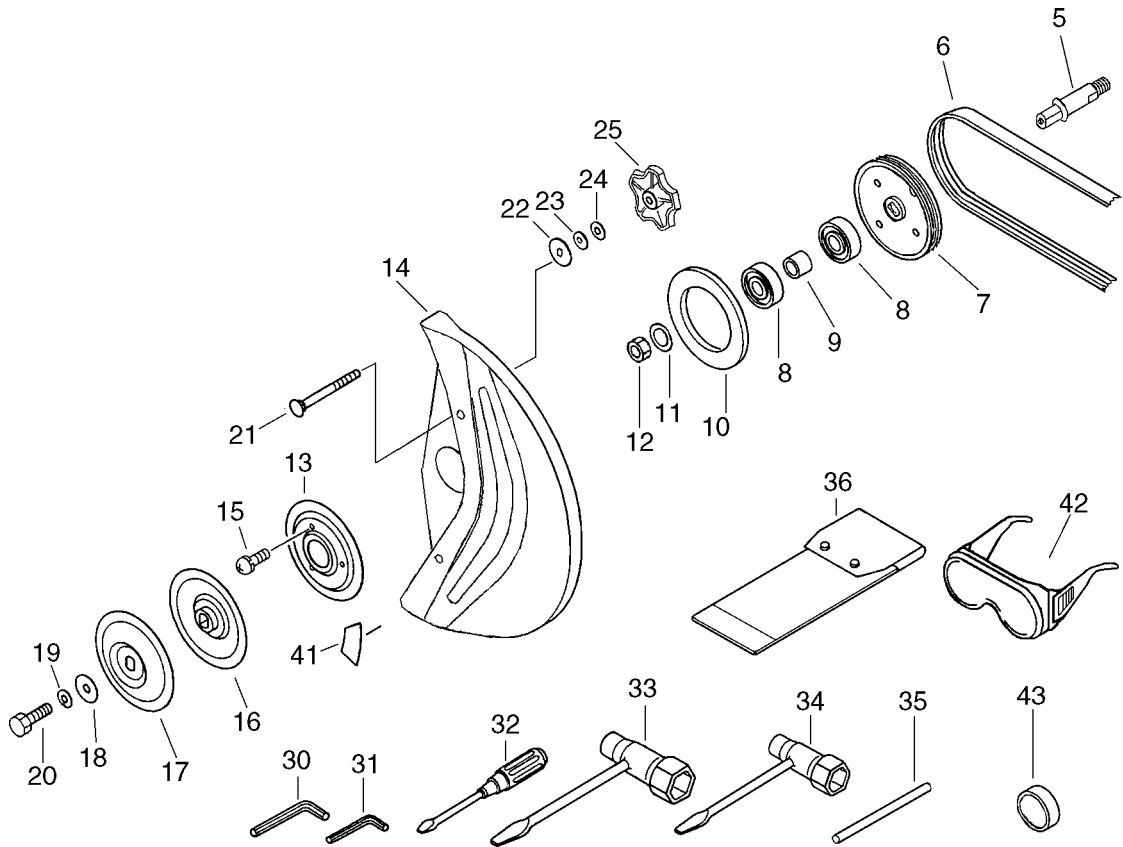
KEY	LV	PART NUMBER	Q'TY	DESCRIPTION	REMARKS
41		100921-32431	1	CUSHION(C)	
44		C400-000240	1	HANDLE,FRONT	
45		900238-05020	2	SCREW 5*20	
46		C405-000300	1	BRACKET,HANDLE	
47		900238-05030	1	SCREW 5*30	
48		305114-06060	1	BRACKET	
49		V376-001010	1	SPACER	
50		351630-06060	1	SPACER	
51		C423-000130	1	FIXTURE,HANDLE	
52		900162-05035	2	BOLT, H.S. 5*35	
53		305115-06060	1	SHIELD	
54		900238-05035	3	SCREW 5*35	
55		900162-05030	1	BOLT, H.S. 5*30	
58		P021-014740	1	HANDLE, REAR	
59	+	131300-56430	1	VALVE, CHECK	
60	+	131328-40630	1	COVER, VENT	
61	+	130111-00530	1	CLIP	
62	+	131312-32430	1	PIPE, VENT	



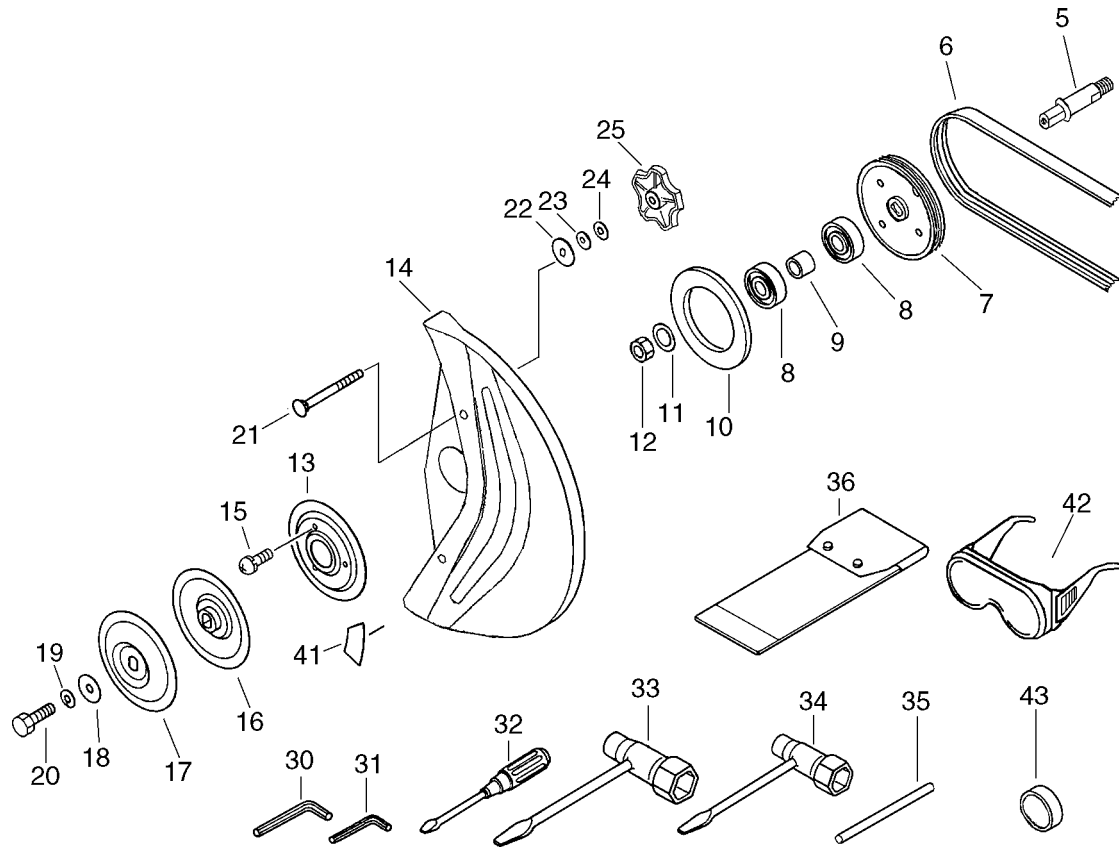
KEY	LV	PART NUMBER	Q'TY	DESCRIPTION	REMARKS
5		X505-002450	1	LABEL,CAUTION	
6		900238-05025	4	SCREW 5*25	
7		C361-000050	1	COVER,CUTTER ARM	
8		900238-05025	3	SCREW 5*25	
9		C361-000040	1	COVER,CUTTER ARM	
11		610320-03830	1	NUT 8 L-H	
12		900603-00008	1	WASHER 8	
13		900702-00028	1	CIRCLIP 28	
14		900802-06001	1	BEARING, BALL 6001	
15		V356-000260	1	COLLAR,10	
16		A556-000310	1	DRUM,CLUTCH	
17		175000-06061	1	CLUTCH ASSY	
18	+	900105-04006	6	BOLT, H.S. 4*6	
19	+	175002-32431	1	SHOE, CLUTCH	
20	+	175018-32430	1	SPRING, CLUTCH	
21	+	175016-16130	1	HUB, CLUTCH	
22	+	175019-16130	3	PLATE, CLUTCH	
25		433019-12330	2	NUT, FLANGE 8	
26		611117-06060	2	SPACER, ARM	
27		900162-05025	1	BOLT, H.S. 5*25	
31		P021-006651	1	SHAFT,ARM ADJUST	
32		611216-05260	1	SPRING, ADJUSTER	
33		V455-000030	1	SEAT,SPRING	
34		V203-000070	1	BOLT,5	



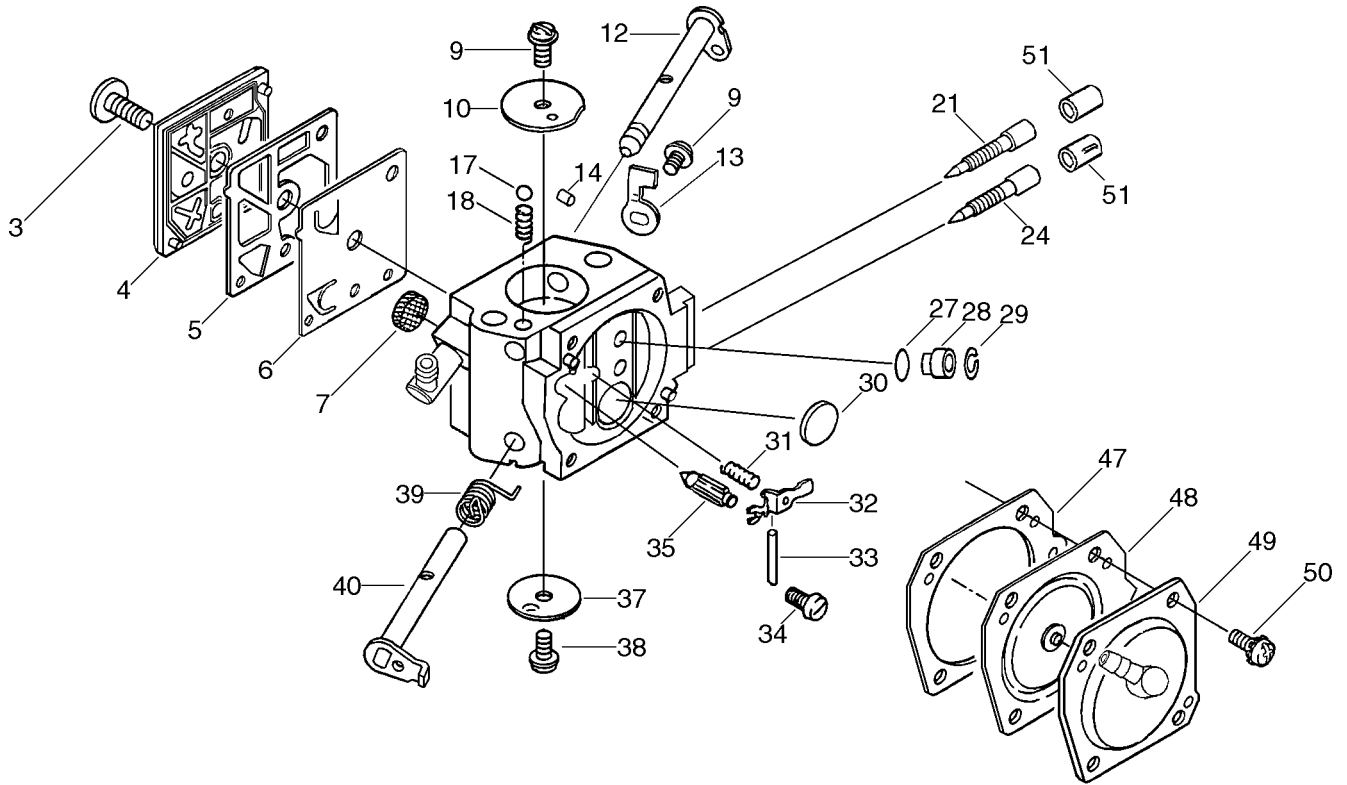
KEY	LV	PART NUMBER	QTY	DESCRIPTION	REMARKS
35		175049-56030	1	WASHER	
36		104915-08260	1	SPACER	
37		C360-000030	1	ARM,CUTTER	



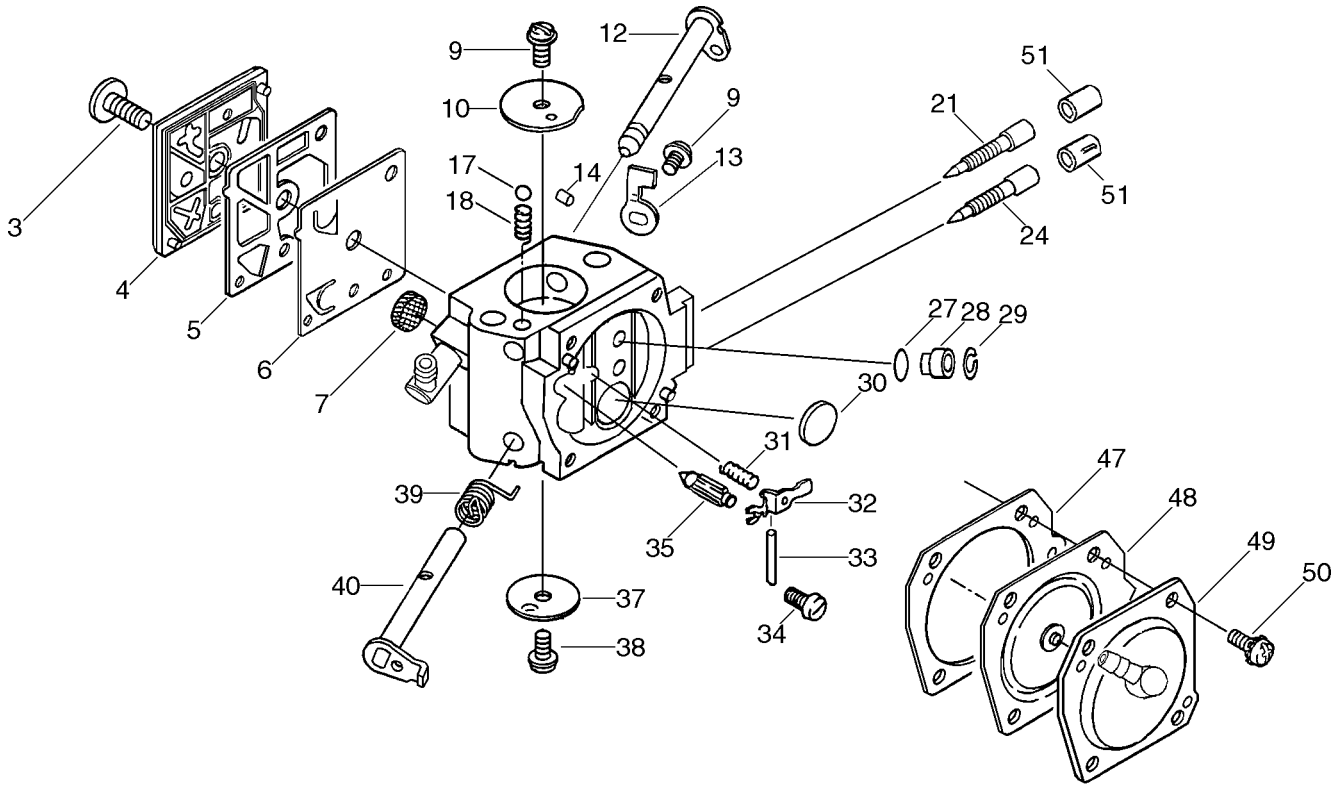
KEY	LV	PART NUMBER	Q'TY	DESCRIPTION	REMARKS
5		C364-000022	1	SHAFT,CUTTER	
6		V196-000090	1	BELT	
7		V176-000031	1	PULLEY	
8		900812-06202	2	BEARING, BALL 6202	
9		606117-21860	1	COLLAR	
10		689024-05260	1	PLATE, CUSHION	
11		900602-00010	1	WASHER 10(10.5*21*2)	
12		900501-00010	1	NUT 10*1.25	
13		C371-000000	1	PLATE,CUTTER COVER	
14		C370-000020	1	COVER,CUTTER	
15		900241-04010	3	SCREW 4*10	
16		611014-07062	1	FLANGE, CUTTER	
17		611015-07062	1	FLANGE, CUTTER	
18		611019-05260	1	WASHER	
19		900605-00010	1	WASHER, SPRING 10	
20		V206-000160	1	BOLT,10	
21		V205-000300	1	BOLT,8	
22		V306-000110	1	WASHER,CIRCULAR 8	
23		900600-00008	1	WASHER 8	
24		900605-00008	1	WASHER, SPRING 8	
25		V299-000210	1	KNOB,FASTENER	
30		895610-00130	1	L-WRENCH (4MM)	
31		895612-03430	1	L-WRENCH (3MM)	
32		895811-00130	1	DRIVER, SCREW 125	



KEY	LV	PART NUMBER	Q'TY	DESCRIPTION	REMARKS
33		895410-10630	1	WRENCH, W/S. DRIVER	
34		895410-00430	1	WRENCH, W/S. DRIVER	
35		897518-01131	1	LOCKING TOOL	
36		898510-39130	1	BAG, TOOL	
41		X505-001331	1	LABEL, CAUTION	
42		P021-002861	1	GOGGLES	
43		611022-09160	1	COLLAR 20*22*4.5	



KEY	LV	PART NUMBER	Q'TY	DESCRIPTION	REMARKS
		A021-000730	1	CARBURETOR,DIAPHRAGM	
3	+	123110-03930	1	SCREW, PUMP COVER	
4	+	123124-19830	1	COVER, FUEL PUMP	
5	+	123125-12330	1	GASKET, FUEL PUMP	
6	+	123112-12330	1	DIAPHRAGM, FUEL PUMP	
7	+	123126-10631	1	SCREEN, INLET	
9	+	123114-38830	2	SCREW	
10	+	123132-32430	1	VALVE, CHOKE	
12	+	123131-19830	1	SHAFT, CHOKE	
13	+	123156-30830	1	STOP, THROTTLE	
14	+	123178-15030	1	PLUG, FRICTION	
17	+	123136-10630	1	BALL, CHOKE FRICTION	
18	+	123135-10630	1	SPRING, CHOKE FRICT.	
21	+	123120-32631	1	NEEDLE, HIGH SPEED	
24	+	123118-02261	1	NEEDLE	
27	+	123183-40630	1	O-RING	
28	+	123184-06060	1	JET #42	
29	+	123169-10630	1	RING, RETAINING	
30	+	123146-10631	1	PLUG, WELCH	
31	+	123122-39830	1	SPRING, METER. LEVER	
32	+	123123-18330	1	LEVER, METERING	
33	+	123138-03930	1	PIN, METERING LEVER	
34	+	123139-03930	1	SCREW, M. LEVER PIN	
35	+	123137-19830	1	VALVE, INLET NEEDLE	



KEY	LV	PART NUMBER	Q'TY	DESCRIPTION	REMARKS
37	+	123132-16130	1	VALVE, CHOKE	
38	+	123114-05260	1	SCREW	
39	+	123113-16130	1	SPRING, THRT. RETURN	
40	+	123117-32630	1	SHAFT, THROTTLE	
47	+	123140-16131	1	GASKET, M. DIAPHRAGM	
48	+	123141-16131	1	DIAPHRAGM, METERING	
49	+	P003-000000	1	COVER, M. DIAPHRAGM	
50	+	123130-02960	4	SCREW	
51	+	P003-000010	2	LIMITER CAP	

**Index**

<b>Parts Number</b>	<b>Key No.</b>	<b>Parts Number</b>	<b>Key No.</b>	<b>Parts Number</b>	<b>Key No.</b>
A011-000292	1 - 31	V420-000701	1 - 4	123139-03930	7 - 34
A021-000730	2 - 28	V455-000030	5 - 33	123140-16131	7 - 47
A021-000730	7 -	V580-000000	1 - 14	123141-16131	7 - 48
A130-000172	1 - 5	V610-000000	1 - 13	123146-10631	7 - 30
A160-000601	1 - 3	X503-009110	2 - 1	123156-30830	7 - 13
A172-000130	3 - 31	X504-000860	3 - 51	123169-10630	7 - 29
A202-000040	1 - 8	X505-001331	6 - 41	123178-15030	7 - 14
A204-000030	2 - 26	X505-002450	5 - 5	123183-40630	7 - 27
A220-000050	2 - 37	100011-32431	1 - 12	123184-06060	7 - 28
A225-000130	2 - 9	100012-32430	1 - 15	129013-30831	2 - 15
A313-000460	2 - 54	100142-30830	1 - 30	130010-20760	2 - 27
A426-000010	3 - 24	100143-19830	3 - 7	130110-19830	2 - 20
A427-000013	3 - 23	100212-19830	1 - 26	130111-00530	4 - 61
A500-000550	3 - 49	100212-32430	1 - 21	130305-07061	2 - 6
A556-000310	5 - 16	100215-02830	1 - 22	130305-25061	2 - 7
C360-000030	5 - 37	100242-32430	1 - 24	130313-06061	2 - 5
C361-000040	5 - 9	100251-32430	1 - 32	130322-05261	2 - 3
C361-000050	5 - 7	100905-32331	2 - 18	130435-07060	2 - 13
C364-000022	6 - 5	100915-32530	4 - 13	130712-06061	2 - 8
C370-000020	6 - 14	100915-33930	4 - 17	130821-06060	2 - 23
C371-000000	6 - 13	100917-32430	1 - 33	131050-19830	4 - 37
C400-000240	4 - 44	100918-19830	4 - 15	131051-19830	4 - 39
C405-000300	4 - 46	100921-32431	4 - 41	131205-19830	4 - 9
C423-000130	4 - 51	100922-32430	4 - 12	131300-56430	4 - 59
C450-000281	4 - 23	101010-32431	1 - 7	131312-32430	4 - 62
P003-000000	7 - 49	101521-32330	3 - 6	131328-40630	4 - 60
P003-000010	7 - 51	101578-38431	2 - 56	132010-30830	4 - 8
P021-002791	1 - 11	104915-08260	5 - 36	132011-19831	4 - 7
P021-002861	6 - 42	123110-03930	7 - 3	132013-26630	4 - 10
P021-006651	5 - 31	123112-12330	7 - 6	132115-01461	2 - 38
P021-014710	1 - 20	123113-16130	7 - 39	132115-01461	4 - 5
P021-014720	4 - 35	123114-05260	7 - 38	145510-32431	2 - 49
P021-014730	3 - 32	123114-38830	7 - 9	145610-32430	2 - 50
P021-014740	4 - 58	123117-32630	7 - 40	145711-32430	2 - 51
V140-000010	2 - 19	123118-02261	7 - 24	156601-32632	3 - 26
V162-000300	1 - 28	123120-32631	7 - 21	156611-19830	3 - 22
V176-000031	6 - 7	123122-39830	7 - 31	156635-32530	2 - 42
V196-000090	6 - 6	123123-18330	7 - 32	156800-32631	3 - 5
V203-000070	5 - 34	123124-19830	7 - 4	159010-10230	3 - 25
V203-000150	3 - 13	123125-12330	7 - 5	162021-32530	2 - 35
V205-000300	6 - 21	123126-10631	7 - 7	163400-30830	2 - 33
V206-000160	6 - 20	123130-02960	7 - 50	163810-30130	2 - 41
V299-000210	6 - 25	123131-19830	7 - 12	175000-06061	5 - 17
V306-000110	6 - 22	123132-16130	7 - 37	175002-32431	5 - 19
V353-000201	3 - 10	123132-32430	7 - 10	175016-16130	5 - 21
V356-000260	5 - 15	123135-10630	7 - 18	175018-32430	5 - 20
V362-000020	2 - 25	123136-10630	7 - 17	175019-16130	5 - 22
V376-001010	4 - 49	123137-19830	7 - 35	175049-56030	5 - 35
V420-000691	2 - 24	123138-03930	7 - 33	177215-07060	3 - 35



**Index**

<b>Parts Number</b>	<b>Key No.</b>	<b>Parts Number</b>	<b>Key No.</b>	<b>Parts Number</b>	<b>Key No.</b>
177218-32631	3 - 11	900162-05014	1 - 9		
177220-02834	3 - 38	900162-05014	2 - 52		
177221-02830	3 - 39	900162-05014	3 - 33		
177221-07060	3 - 37	900162-05014	4 - 14		
177226-06060	3 - 36	900162-05020	1 - 2		
177227-07060	3 - 42	900162-05020	1 - 36		
177228-30830	3 - 41	900162-05020	2 - 36		
177234-19832	3 - 9	900162-05020	3 - 50		
178011-32630	2 - 31	900162-05025	1 - 6		
178043-19830	4 - 22	900162-05025	5 - 27		
178090-19830	4 - 20	900162-05030	4 - 55		
178114-32630	2 - 32	900162-05035	1 - 35		
178302-12330	4 - 34	900162-05035	4 - 52		
178510-32330	2 - 29	900238-04014	4 - 18		
178810-33331	2 - 30	900238-05014	1 - 34		
305114-06060	4 - 48	900238-05016	2 - 12		
305115-06060	4 - 53	900238-05020	4 - 45		
351111-19830	4 - 25	900238-05025	2 - 11		
351155-35430	4 - 19	900238-05025	5 - 6		
351630-06060	4 - 50	900238-05025	5 - 8		
433011-21860	1 - 23	900238-05030	4 - 47		
433019-12330	5 - 25	900238-05035	4 - 54		
433144-15130	3 - 47	900241-04010	6 - 15		
436114-13930	1 - 27	900242-04008	3 - 27		
437211-14730	2 - 39	900246-03008	4 - 38		
437217-20760	4 - 6	900252-04010	2 - 44		
606117-21860	6 - 9	900252-05010	2 - 43		
610320-03830	5 - 11	900252-05014	2 - 21		
611014-07062	6 - 16	900252-05053	2 - 22		
611015-07062	6 - 17	900253-04008	3 - 48		
611019-05260	6 - 18	900342-50025	4 - 24		
611022-09160	6 - 43	900500-00008	3 - 8		
611117-06060	5 - 26	900501-00010	6 - 12		
611216-05260	5 - 32	900600-00008	6 - 23		
689024-05260	6 - 10	900602-00010	6 - 11		
890057-07060	2 - 4	900603-00005	3 - 12		
890157-30130	2 - 34	900603-00005	3 - 34		
890157-39130	2 - 40	900603-00008	5 - 12		
890185-03460	2 - 17	900605-00008	6 - 24		
895410-00430	6 - 34	900605-00010	6 - 19		
895410-10630	6 - 33	900702-00028	5 - 13		
895610-00130	6 - 30	900720-20007	2 - 16		
895612-03430	6 - 31	900720-20029	4 - 36		
895811-00130	6 - 32	900802-06001	5 - 14		
897518-01131	6 - 35	900810-36202	1 - 25		
898510-39130	6 - 36	900812-06202	6 - 8		
900105-04006	5 - 18				
900162-04010	2 - 55				
900162-04020	3 - 28				



# KIORITZ CORPORATION

7-2 SUEHIROCHO 1-CHOME, OHME, TOKYO 198-8711, JAPAN  
PHONE: 81-428-32-6118. FAX: 81-428-32-6145.

200802 No.64-243(650177)