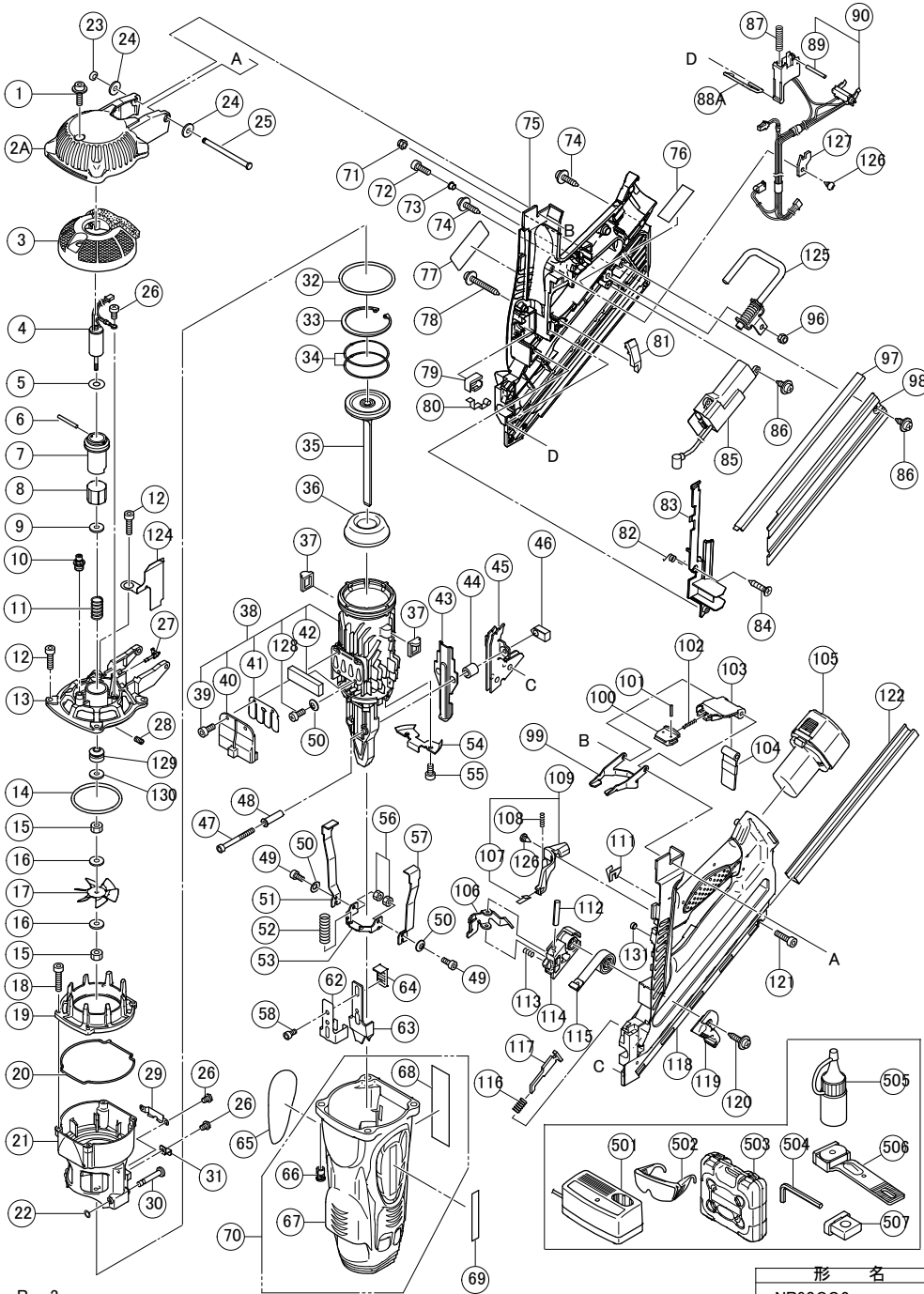


GAS STRIP NAILER NR 90GC2

Page:1/1

Blokkolás...



Rev.3

GAS STRIP NAILER NR 90GC2

Item No.	Code No.	Description	No. used	Remarks
1	996399	HEX. SOCKET HD. BOLT (W/FLANGE) M5X12	1	
2A	886598	TOP COVER	1	
3	886129	FILTER	1	
4	885309	MOTOR	1	
5	885313	RUBBER WASHER	1	
6	885318	ROLL PIN D2.5X25	1	
7	885310	MOTOR MOUNT	1	
8	885314	MOUNT SLEEVE	1	
9	885320	SHAFT WASHER	1	
10	885333	SPARK PLUG (A)	1	
11	885319	MOTOR SPRING	1	
12	949757	HEX. SOCKET HD. BOLT M5X20 (10 PCS.)	4	
13	885308	CYLINDER HEAD ASS'Y	1	
14	885316	O-RING (I.D 59.92)	1	
15	949554	NUT M4 (10 PCS.)	2	
16	949423	WASHER M4 (10 PCS.)	2	
17	885311	FAN	1	
18	949754	HEX. SOCKET HD. BOLT M4X16 (10 PCS.)	4	
19	885294	CHAMBER HEAD	1	
20	886133	GASKET (B)	1	
21	885296	CHAMBER	1	
22	878607	PLUNGER O-RING	2	
23	880319	SHAFT RING	1	
24	949431	BOLT WASHER M5 (10 PCS.)	2	
25	885277	SHAFT	1	
26	949214	MACHINE SCREW M4X6 (10 PCS.)	4	
27	885317	ADAPTER	1	
28	961681	HEX. SOCKET SET SCREW M4X5	2	
29	885297	CHAMBER LOCK PLATE	1	
30	886484	PIN (A)	2	
31	885306	SWITCH PLATE	1	
32	885283	O-RING (I.D. 66.27)	1	
33	885285	RETAINING RING	1	
34	885286	PISTON RING	2	
35	885291	PISTON	1	
36	885289	PISTON BUMPER (A)	1	
*37	885284	CHAMBER STOP RUBBER	2	FOR USA,CAN
38	885361	CYLINDER ASS'Y	1	INCLUD.39-42,128
39	949812	HEX. SOCKET HD. BOLT M4X10 (10 PCS.)	2	
40	886467	BUFFER COVER (A)	1	
41	885290	LEAD VALVE	1	
42	885288	MUFFLER (A)	1	
43	885355	BLADE GUIDE	1	
44	885270	PLATE SLEEVE	2	
45	885326	SIDE PLATE	1	
46	886544	SPECIAL NUT M5	2	
47	886545	NYLOCK HEX.SOCKET HD.BOLT M5X50	2	
48	885269	NOSE SLEEVE	2	
49	886241	SEAL LOCK HEX. SOCKET HD. BOLT M4X10	2	
50	886242	BELLEVILLE SPRING M4	4	
51	886546	PUSHING LEVER ARM (C)	1	
52	886245	PUSHING LEVER SPRING (A)	2	
53	885301	PUSHING LEVER CONNECTOR	1	
54	885299	CYLINDER PLATE (A)	1	
55	980046	SEAL LOCK HEX. SOCKET HD. BOLT M5X10	2	
56	956329	U-NUT M4	2	
57	886547	PUSHING LEVER ARM (D)	1	
58	949819	HEX. SOCKET HD. BOLT M5X10 (10 PCS.)	1	
62	886128	PUSHING STOPPER	1	
63	886144	PUSHING LEVER(A)	1	
64	885272	ADJUSTER BUSH (A)	1	
65		NAME PLATE	1	
66	885304	SCREW M5	4	
67	886134	HOUSING	1	
68	885307	INSULATOR SHEET	1	
69		HITACHI LABEL	1	
70	886244	HOUSING ASS'Y	1	INCLUD.66-68
71	876465	NYLON NUT M4	1	

Item No.	Code No.	Description	No. used	Remarks
72	949820	HEX. SOCKET HD. BOLT M5X15 (10 PCS.)	1	
73	878164	SLEEVE	1	
74	302086	TAPPING SCREW (W/FLANGE) D4X20 (BLACK)	5	
75	886256	HANDLE (B)	1	
76		CAUTION PLATE	1	
				FOR EUROPE
77		WARNING LABEL	1	
78	301815	TAPPING SCREW (W/FLANGE) D4X45 (BLACK)	1	
79	885334	SWITCH MOUNT	1	
80	885347	SWITCH ARM	1	
81	885338	PRISM (A)	1	
82	885337	LOCK BAR SPRING	1	
83	885339	WIRING COVER	1	
84	885346	FLAT HD. TAPPING SCREW D4X10	1	
*85	885331	CONTROLLER	1	
*85	885595	CONTROLLER	1	FOR USA,CAN
86	309933	TAPPING SCREW (W/FLANGE) D4X14 (BLACK)	3	
87	885828	TRIGGER SPRING (A)	1	
88A	887617	CHAMBER LOCK BAR	1	
89	885349	PIN D2.5	1	
90	885798	TRIGGER INTERNAL WIRE (A) SET	1	
96	877371	NYLON NUT M5	1	
97	885341	NAIL RAIL	1	
98	885342	MAGAZINE PLATE	1	
99	886141	CELL LEVER (A)	1	
100	885280	LATCH	1	
101	949859	ROLL PIN D2X8 (10 PCS.)	2	
102	885281	SPRING D3.6	1	
103	885352	CELL COVER	1	
104	886131	CELL RUBBER (A)	1	
*105	324148	BATTERY EB 714S (EUROPE,AUS,NZL)	2	
*105	325292	BATTERY EB 714S (USA,CAN/CLAMSHELL)	2	
106	885323	NAIL FEEDER (A)	1	
107	886257	TENSION PLATE (C)	1	
108	885518	SPRING	1	
109	886147	SWITCH LEVER (B) ASS'Y	1	INCLUD.107
110	885349	PIN D2.5	1	
111	886138	LEVER STOPPER	1	
112	949506	ROLL PIN D4X28 (10 PCS.)	1	
113	883687	SPRING	1	
114	885324	NAIL FEEDER (B)	1	
115	885325	RIBBON SPRING	1	
116	885328	SPRING D8	1	
117	885327	PUSHING LEVER STOPPER	1	
118	886728	HANDLE (A)	1	
119	886246	FEEDER KNOB	1	
120	302089	TAPPING SCREW (W/FLANGE) D5X20 (BLACK)	1	
121	880003	HEX. SOCKET HD. BOLT M4X18	1	
122	885354	MAGAZINE GUARD	1	
124	886253	WIRING PLATE	1	
125	886255	HOOK (B)	1	
126	885714	TAPPING SCREW D3X8	2	
127	886548	WIRING PLATE (B)	1	
128	303631	SEAL LOCK SCREW M4X6 (BLACK)	2	
129	886470	SHAFT COVER	1	
130	886471	WASHER	1	
131	886543	SLEEVE	1	
		STANDARD ACCESSORIES		
501		CHARGER (MODEL UC 7SD)	1	
502	875769	SAFETY GLASSES	1	
503	886254	CASE	1	
504	944458	HEX. BAR WRENCH 4MM	1	
505	886036	LUBRICANT OILER (B)	1	FOR EUROPE
506	885788	RUBBER NOSE ASS'Y	1	INCLUD.507 FOR NOR,SWE,DEN,FIN
507	885791	RUBBER NOSE	1	FOR NOR,SWE,DEN,FIN
		OPTIONAL ACCESSORIES		
*601	885246	LUBRICANT OILER (A)	1	
*601	885546	LUBRICANT OILER (A)	1	FOR USA,CAN
602	885788	RUBBER NOSE ASS'Y	1	INCLUD.603
603	885791	RUBBER NOSE	1	