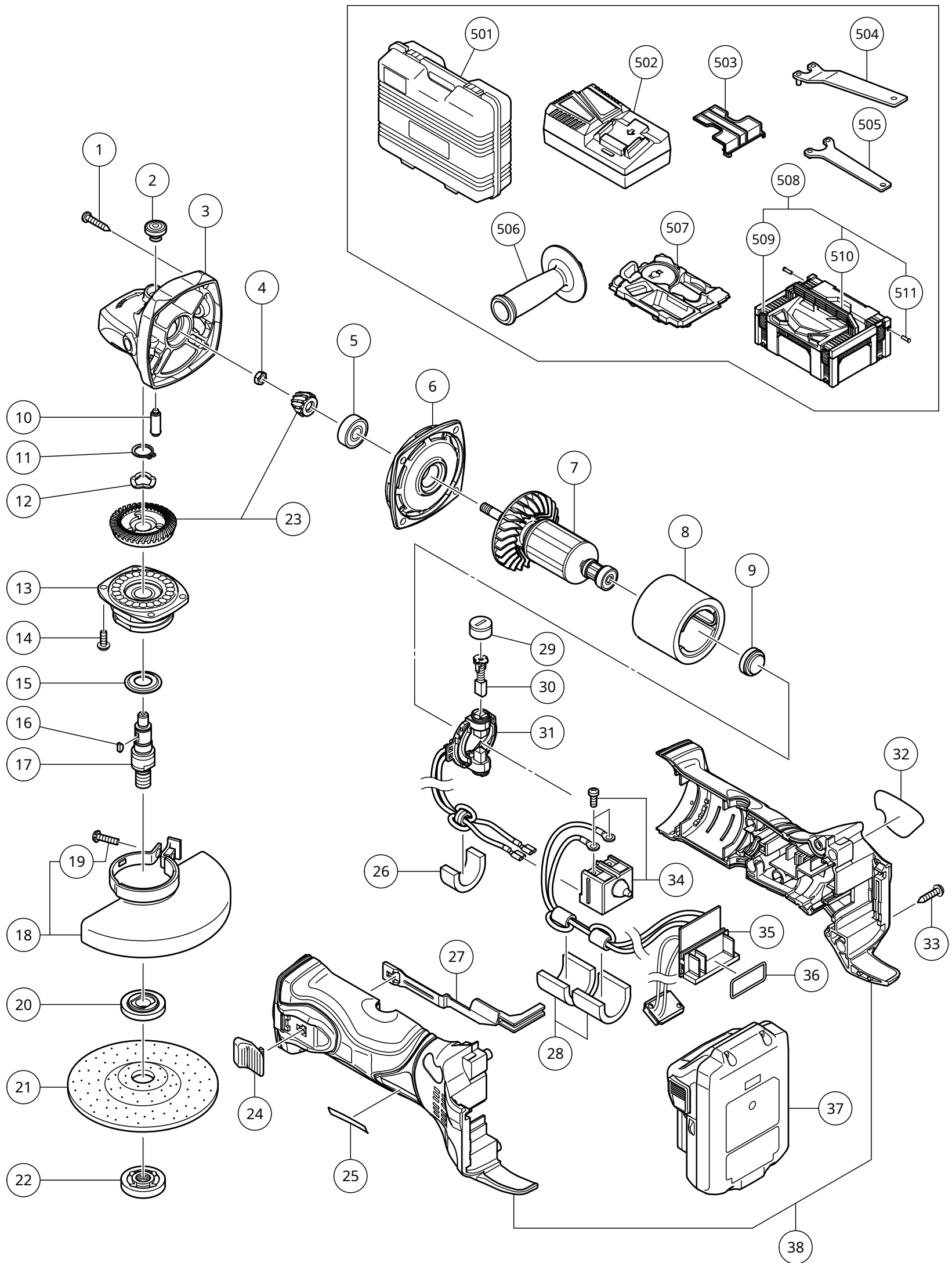




Az Ön kosara üres

G18DSL2



MODEL
G18DSL2

Rev.1

Teljes alkatrészlista a(z) G18DSL2 modellhez

Az alkatrész cikkszámára kattintva megrendelheti a kívánt alkatrészt. A rendelés új fülön (ablakban) fog megjelenni, így az adott modell alkatrészlistájához bármikor könnyen visszatérhet, és folytathatja a rendelést.

Szám	Cikkszám	Angol megnevezés	Darab	Megjegyzés	Modellnév	Kód
1	377006	TAPPING SCREW D4X25	4		G18DSL2	PRT
2	301944	PUSHING BUTTON	1		G18DSL2	PRT
3	376707	GEAR COVER ASSY	1	INCLUD.2.10	G18DSL2	PRT
4	309191	SPECIAL NUT M6	1		G18DSL2	PRT
5	338337	BALL BEARING 608SS	1		G18DSL2	PRT
6	376709	BEARING HOLDER	1		G18DSL2	PRT
7	361148	SHAFT ARMATURE SET	1		G18DSL2	PRT
8	376708	MAGNET	1		G18DSL2	PRT
9	328201	RUBBER BUSHING	1		G18DSL2	PRT
10	301943	LOCK PIN	1		G18DSL2	PRT
11	316487	RETAINING RING FOR D11 SHAFT	1		G18DSL2	PRT
12	316486	WAVE WASHER	1		G18DSL2	PRT
13	338849	PACKING GLAND	1		G18DSL2	PRT
14	328628	SEAL LOCK SCREW (W/WASHER) M4X12	4		G18DSL2	PRT
15	328185	WASHER (A)	1		G18DSL2	PRT
16	302047	WOODRUFF KEY	1		G18DSL2	PRT
**17	328197	SPINDLE M10 X1.5	1	100MM TYPE	G18DSL2	PRT
**17	328359	SPINDLE M14	1	115MM.125MM TYPE	G18DSL2	PRT

**17	328360	SPINDLE 5/ 8"-11UNC	1	FOR USA.CAN	G18DSL2	PRT
**18	370066	WHEEL GUAR D ASS Y	1	INCLUD.17 10 0MM TYPE	G18DSL2	PRT
**18	338848	WHEEL GUAR D ASS Y	1	INCLUD.17 11 5MM TYPE	G18DSL2	PRT
**18	338845	WHEEL GUAR D ASS Y	1	INCLUD.17 12 5MM TYPE	G18DSL2	PRT
19	308386	MACHINE SCR EW (W/SP. WA SHER) M5X16 (BLACK	1		G18DSL2	PRT
**20	372737	WHEEL WASH ER	1	100MM TYPE	G18DSL2	PRT
**20	376067	WHEEL WASH ER	1	115MM.125M M TYPE	G18DSL2	PRT
**20	319373	WHEEL WASH ER	1	FOR USA.CAN	G18DSL2	PRT
**21	316820	D. C. WHEELS 100MMX4T A3 6Q (25 PCS.)	1	100MM TYPE	G18DSL2	PRT
**21	316821	D. C. WHEELS 115MM A36Q (25 PCS.)	1	115MM TYPE	G18DSL2	PRT
**21	316822	D. C. WHEELS 125MM A36Q (25 PCS.)	1	125MM TYPE	G18DSL2	PRT
**22	339579	WHEEL NUT M 14	1		G18DSL2	PRT
**22	339578	WHEEL NUT M 10	1		G18DSL2	PRT
**22	937923P	WHEEL NUT 5/ 8"-11UNC	1	FOR USA.CAN	G18DSL2	PRT
23	377005	GEAR AND PIN ION SET	1		G18DSL2	PRT
24	314428	SLIDE KNOB	1		G18DSL2	PRT
25			1		G18DSL2	PRT
26	375921	SUPPORT (D)	1	FOR EUROPE. GBR.SAF	G18DSL2	PRT
27	377004	SLIDE BAR	1		G18DSL2	PRT
28	339343	SUPPORT (D)	2		G18DSL2	PRT
29	328200	BRUSH CAP	2		G18DSL2	PRT

30	999101	CARBON BRUSH 5X6X11.5 (1 PAIR)	2		G18DSL2	PRT
**31	328202	BRUSH BLOCK	1		G18DSL2	PRT
**31	334696	BRUSH BLOCK	1	FOR EUROPE. GBR.SAF	G18DSL2	PRT
32			1		G18DSL2	PRT
33	339250	TAPPING SCREW (W/FLANGE) D4X20	5		G18DSL2	PRT
34	373565	PUSHING BUTTON SWITCH	1		G18DSL2	PRT
35	376711	CONTROLLER TERMINAL SET	1	FOR EUROPE. GBR.SAF	G18DSL2	PRT
36	306353	O-RING (S-22)	1		G18DSL2	PRT
**37	376029	BATTERY BSL 1 850C (EUROPE.AUS.NZL)	2	INCLUD.503	G18DSL2	PRT
**37	339783	BATTERY BSL 1 830C (EUROPE.AUS.NZL)	2	INCLUD.503	G18DSL2	PRT
**37	371308	BATTERY BSL 1 830C (CHN)	2	INCLUD.503	G18DSL2	PRT
38	377254	HOUSING (A). (B) SET	1		G18DSL2	PRT
501	339041	CASE	1		G18DSL2	STA
502			1		G18DSL2	STA
503	329897	BATTERY COVER	2		G18DSL2	STA
**504	313933	WRENCH	1	100MM TYPE	G18DSL2	STA
**505	938332Z	WRENCH	1		G18DSL2	STA
506	994322	SIDE HANDLE	1		G18DSL2	STA
507	337113	INNER TRAY	1		G18DSL2	STA
508	336471	CASE ASSY (STACKABLE 2)	1	INCLUD.509-511	G18DSL2	STA
509	336472	LATCH	4		G18DSL2	STA
510	336473	HANDLE	1		G18DSL2	STA
511	336474	HINGE	2		G18DSL2	STA
**601	937826Z	WASHER NUT	1	115MM TYPE	G18DSL2	OPA

**601	938318	WASHER NUT	1	FOR USA.CAN	G18DSL2	OPA
**602	937825Z	RUBBER PAD	1	115MM TYPE	G18DSL2	OPA
**602	938317	RUBBER PAD	1	FOR USA.CAN	G18DSL2	OPA
**603	314051	SANDING DIS CS 100MM C-P 16 (10 PCS.)	1		G18DSL2	OPA
**603	314095	SANDING DIS CS 115MM C-P 16 (10 PCS.)	1		G18DSL2	OPA
**603	314062	SANDING DIS CS 125MM C-P 16 (10 PCS.)	1		G18DSL2	OPA
**604	314052	SANDING DIS CS 100MM C-P 20 (10 PCS.)	1		G18DSL2	OPA
**604	314096	SANDING DIS CS 115MM C-P 20 (10 PCS.)	1		G18DSL2	OPA
**604	314063	SANDING DIS CS 125MM C-P 20 (10 PCS.)	1		G18DSL2	OPA
**605	314053	SANDING DIS CS 100MM C-P 24 (10 PCS.)	1		G18DSL2	OPA
**605	314097	SANDING DIS CS 115MM C-P 24 (10 PCS.)	1		G18DSL2	OPA
**605	314064	SANDING DIS CS 125MM C-P 24 (10 PCS.)	1		G18DSL2	OPA
**606	314054	SANDING DIS CS 100MM C-P 30 (10 PCS.)	1		G18DSL2	OPA
**606	314098	SANDING DIS CS 115MM C-P 30 (10 PCS.)	1		G18DSL2	OPA
**606	314065	SANDING DIS CS 125MM C-P 30 (10 PCS.)	1		G18DSL2	OPA
**607	314055	SANDING DIS CS 100MM C-P 36 (10 PCS.)	1		G18DSL2	OPA
**607	314099	SANDING DIS CS 115MM C-P 36 (10 PCS.)	1		G18DSL2	OPA

**607	314066	SANDING DIS CS 125MM C-P 36 (10 PCS.)	1		G18DSL2	OPA
**608	314056	SANDING DIS CS 100MM C-P 40 (10 PCS.)	1		G18DSL2	OPA
**608	314100	SANDING DIS CS 115MM C-P 40 (10 PCS.)	1		G18DSL2	OPA
**608	314067	SANDING DIS CS 125MM C-P 40 (10 PCS.)	1		G18DSL2	OPA
**609	314057	SANDING DIS CS 100MM C-P 50 (10 PCS.)	1		G18DSL2	OPA
**609	314101	SANDING DIS CS 115MM C-P 50 (10 PCS.)	1		G18DSL2	OPA
**609	314068	SANDING DIS CS 125MM C-P 50 (10 PCS.)	1		G18DSL2	OPA
**610	314058	SANDING DIS CS 100MM C-P 60 (10 PCS.)	1		G18DSL2	OPA
**610	314102	SANDING DIS CS 115MM C-P 60 (10 PCS.)	1		G18DSL2	OPA
**610	314069	SANDING DIS CS 125MM C-P 60 (10 PCS.)	1		G18DSL2	OPA
**611	314059	SANDING DIS CS 100MM C-P 80 (10 PCS.)	1		G18DSL2	OPA
**611	314103	SANDING DIS CS 115MM C-P 80 (10 PCS.)	1		G18DSL2	OPA
**611	314070	SANDING DIS CS 125MM C-P 80 (10 PCS.)	1		G18DSL2	OPA
**612	314060	SANDING DIS CS 100MM C-P 100 (10 PCS.)	1		G18DSL2	OPA
**612	314104	SANDING DIS CS 115MM C-P 100 (10 PCS.)	1		G18DSL2	OPA
**612	314071	SANDING DIS CS 125MM C-P 100 (10 PCS.)	1		G18DSL2	OPA

**613	314061	SANDING DISCS 100MM C-P 120 (10 PCS.)	1		G18DSL2	OPA
**613	314105	SANDING DISCS 115MM C-P 120 (10 PCS.)	1		G18DSL2	OPA
**613	314072	SANDING DISCS 125MM C-P 120 (10 PCS.)	1		G18DSL2	OPA
614	332785	WHEEL GUARD (FOR CUTTING)	1	115MM TYPE	G18DSL2	OPA
615	302098	GUIDE BASE	1	100MM TYPE	G18DSL2	OPA
616	302099	WHEEL GUARD FOR 100MM CUT-OFF WHEEL	1	100MM TYPE	G18DSL2	OPA
617	984646	WHEEL NUT FOR 100MM CUT-OFF WHEEL	1	100MM TYPE	G18DSL2	OPA
618	935513	WASHER NUT M10XP1.5	1	100MM TYPE	G18DSL2	OPA
619	936548	WASHER	1	100MM TYPE	G18DSL2	OPA
620	936558Z	RUBBER PAD	1	100MM TYPE	G18DSL2	OPA
621	332788	WHEEL GUARD (FOR CUTTING)	1	125MM TYPE	G18DSL2	OPA
622	336865	SIDE HANDLE	1		G18DSL2	OPA